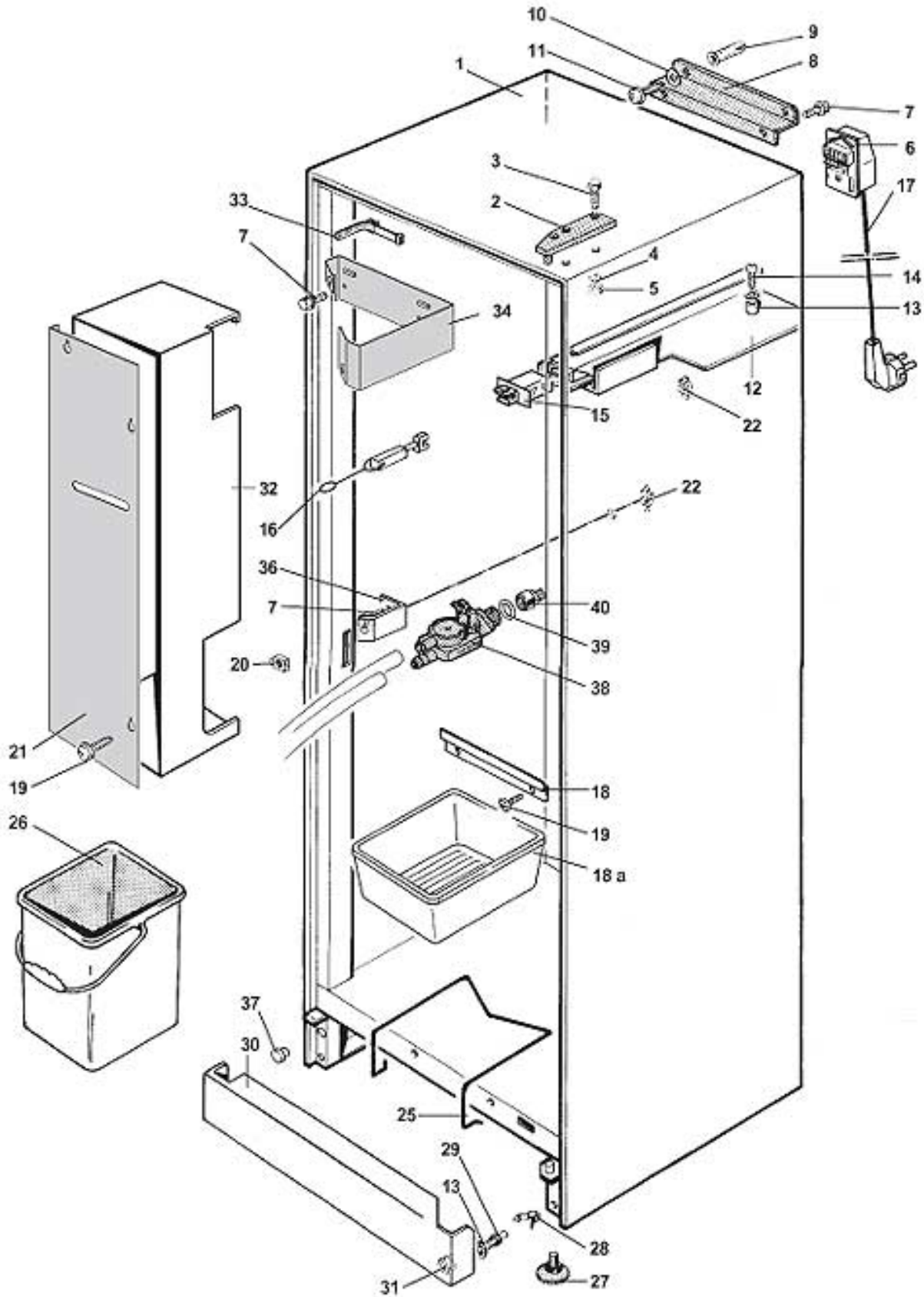


vending machine

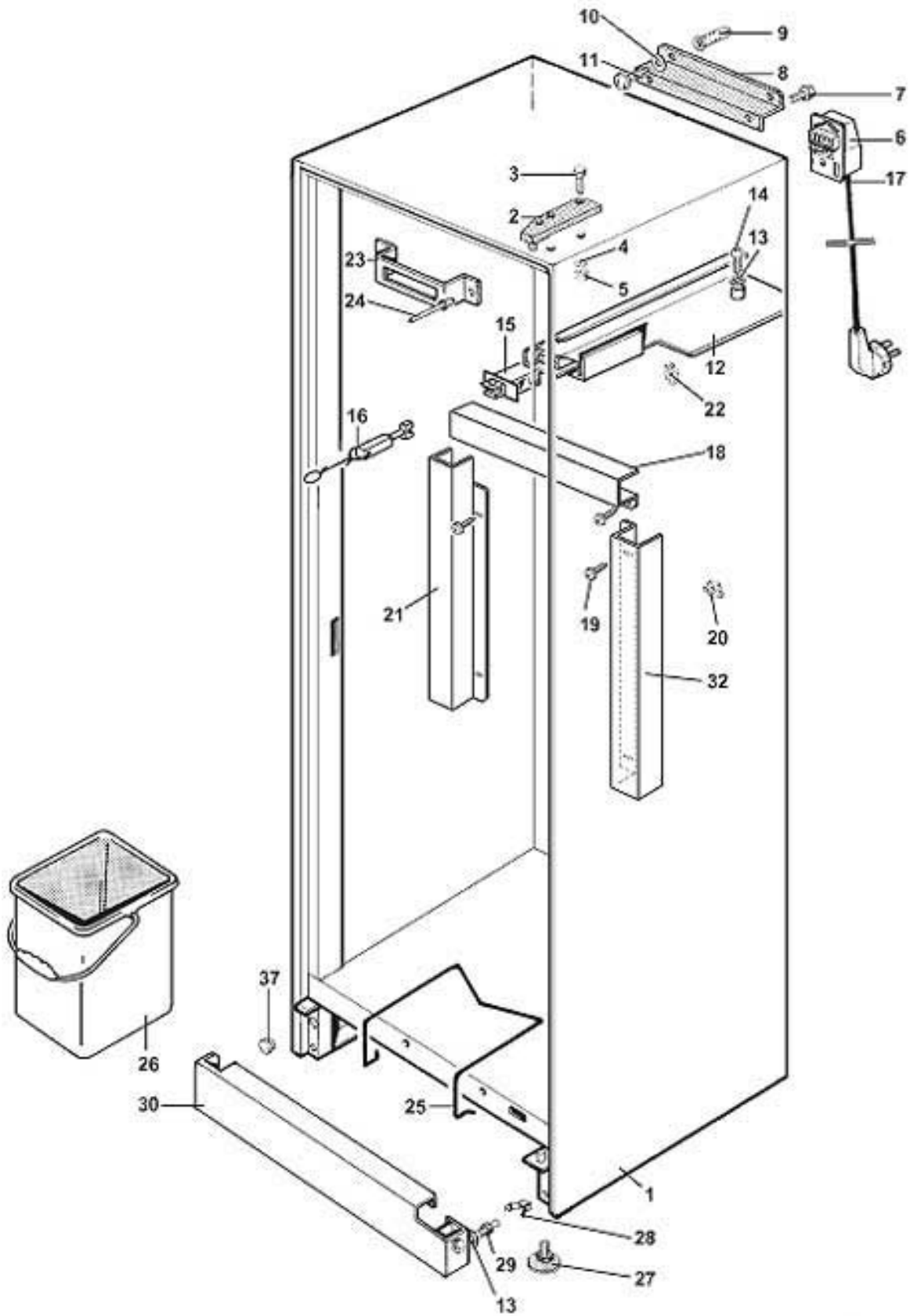
[SAGOMA]



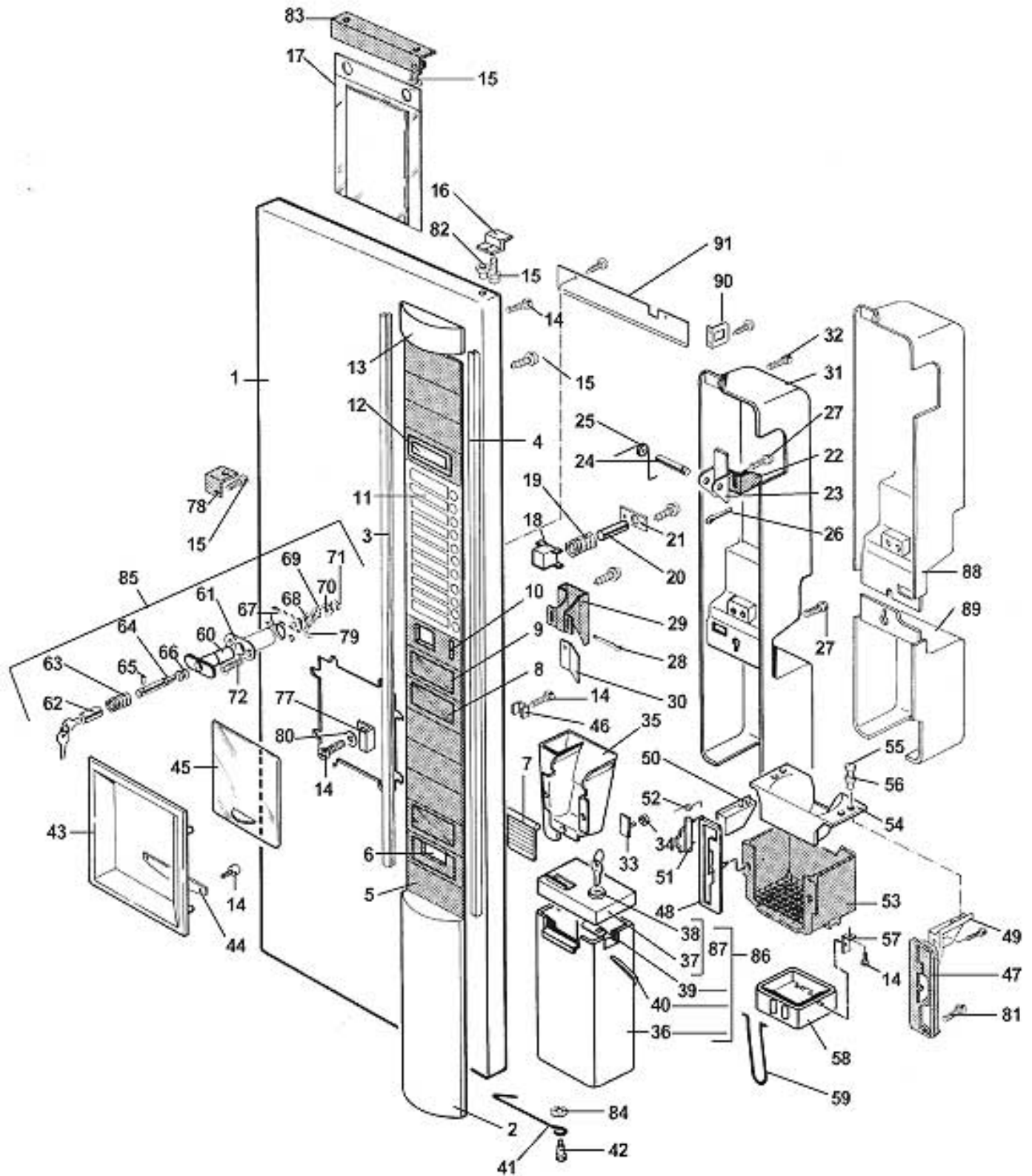
spare parts manual



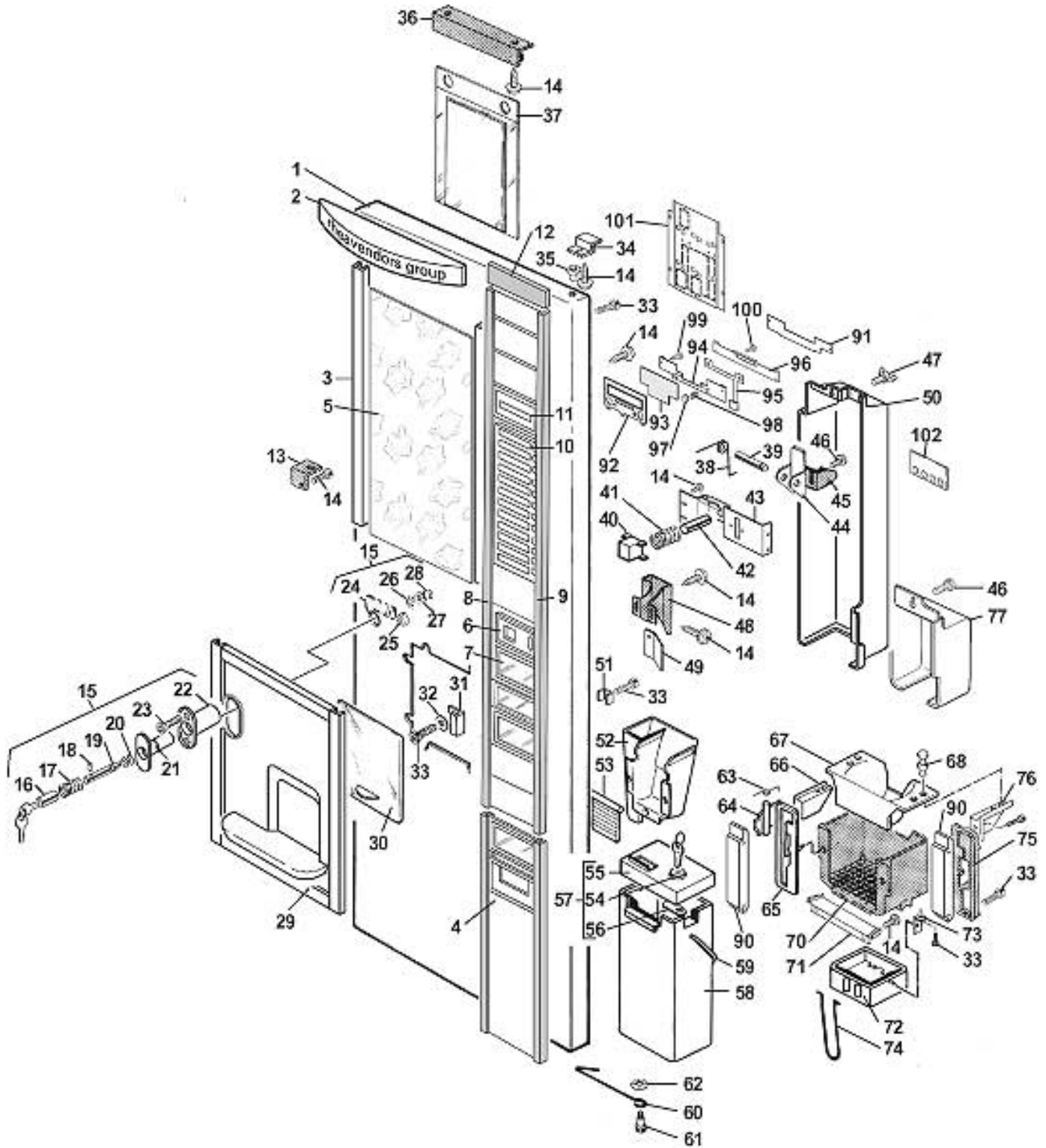
Pos.	Code	Description
1/a	0010014274	SAGOMA H CABINET STRUCTURE Up to serial 0136999
	0010014274AE	
	0010014274CF	
	0010014274CG	
	0010014274CH	
	0010014274CM	
	0010014274CN	
	0010014274CF	
	0010014274KE	
	0010014274NA	
1/b	0010014375	SAGOMA H CABINET STRUCTURE From serial 0137001
	0010014375AE	
	0010014375CF	
	0010014375CG	
	0010014375CH	
	0010014375CM	
	0010014375CN	
	0010014375GF	
	0010014375KE	
	0010014375NA	
1/c	0010014235	SAGOMA H/FP CABINET STRUCTURE Up to serial 0136999
	0010014235AE	
	0010014235CF	
	0010014235CG	
	0010014235CH	
	0010014235CM	
	0010014235CN	
	0010014235GF	
	0010014235KE	
	0010014235NA	
1/d	0010014405	SAGOMA H/FP CABINET STRUCTURE From serial 0137001
	0010014405AE	
	0010014405CF	
	0010014405CG	
	0010014405CH	
	0010014405CM	
	0010014405CN	
	0010014405GF	
	0010014405KE	
	0010014405NA	
2	0010013191	UPPER HINGE
	0010013191AE	
	0010013191CF	
	0010013191CG	
	0010013191CH	
	0010013191CM	
	0010013191CN	
	0010013191GF	
	0010013191KE	
	0010013191NA	
3	VIT0000215	SCREW TE M8x25
4	VIT0003402	D. 8.4 GROWER SPRING WASHER
5	VIT0004595	M 8 NUT
6	ELE0002410	EXTERNAL TRIPOLAR TERMINAL BLOCK
7	VIT0000236	E.H SCREW M 6 x 11 + FR
8	0010014074	DISPENSER SECURING BRACKET
9	VIT0010701	TPF 8 x 50 DOWEL
10	VIT0009152	CONNECTION
11	VIT0002022	5.5x 60 TAPPING TCB SCREW
12	0270011465	DOOR SWITCH SUPPORT
13	VIT0003103	WASHER tab D. 4.3
14	VIT0000012	SCREW T.C.B. M 4 x 10
15	ELE0003009	SAFETY SWITCH
16	0270011109CL	SERVICE KEY ASSEMBLY
17/a	ELE0055003	POWER LEAD H05VV-F 3 x 1.5 SCHUKO PLUG
17/b	ELE0055004	POWER LEAD H0VV-F 3 x 1.5 SC PLUG
17/c	ELE0055006	POWER LEAD H05VV-F 3 x 1.5 GB PLUG
18	0010014237	WATER TRAY BRACKET
18/a	0010014236	WATER TRAY (FOR VERSION FP)
19	VIT0000030	SCREW TCB M4 x 7 (FOR VERSION FP)
20	VIT0009109	M 4 NUT IN RETAINER (FOR VERSION FP) Up to serial 9541999
21/a	0010014213	COVER PROTECTION H/5 (FOR VERSION FP)
21/b	0010014280	COVER PROTECTION H/6 (FOR VERSION FP)
22	VIT0009102	M 6 NUT IN RETAINER (FOR VERSION FP)
23		(FOR VERSION FP)
24		(FOR VERSION FP)
25	0010014063	RING FOR BIN (NO FOR VERSION FP)
26	CON0000201	RECTANGULAR BIN (NO FOR VERSION FP)
27	VIT0010501	SETTING PLATT ES.M 8 x 22 D.30 BLACK (NO FOR VERSION FP)
28	VIT0009152	CONNECTION (NO FOR VERSION FP)
29	VIT0009151	PIN (NO FOR VERSION FP)
30	0120004375	FRONT PROTECTION
	0120004375AE	
	0120004375CF	
	0120004375CG	
	0120004375CH	
	0120004375CM	
	0120004375CN	
	0120004375GF	
	0120004375KE	
	0120004375NA	
31	VIT0004593	NUT M 4
32/a	0010014207CL	BOILER PROTECTION Up to serial 0042999
32/b	0010014212	BOILER PROTECTION SAG H5 From serial 0043001
32/c	0010014279	BOILER PROTECTION H6 From serial 0043001
33	FASC000501	CLIP WIYH DOKINGS
34/a	0600012318	BOILER UPPER SUPPORT Up to serial 0042999
34/b	0600012614	BOILER UPPER SUPPORT From serial 0043001
35	FASC000302	LOCK
36/a	0600012317	BOILER LOWER SUPPORT Up to serial 0042999
36/b	0600012615	BOILER LOWER SUPPORT From serial 0043001
37	0020034022	BUTTON PLUG
38	0110001039	24 DC INLET VALVE W/SAFETY DEV.
39	GUA0000021	OR 130
40/a	0010019223	3/8 GAS M WATER INLET VALVE CONNECTION
40/b	0810010558	3/8 GAS M WATER INLET VALVE CONNECTION



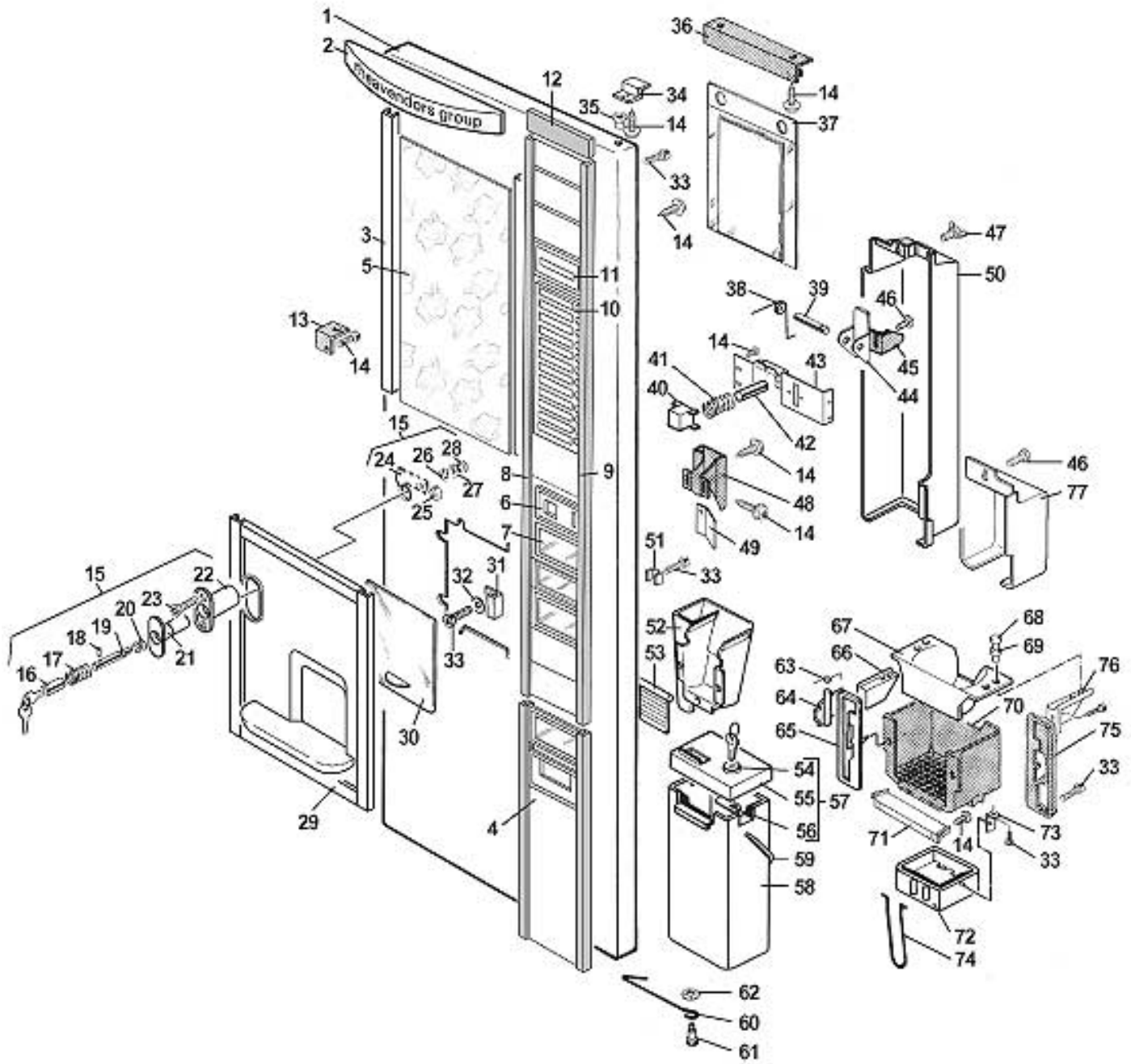
Pos.	Code	Description
1/a	0010014085	SAGOMA E CABINET STRUCTURE Up to serial 0136999
	0010014085AE	
	0010014085CF	
	0010014085CG	
	0010014085CH	
	0010014085CM	
	0010014085CN	
	0010014085GF	
	0010014085KE	
	0010014085NA	
1/b	0010014355	SAGOMA H CABINET STRUCTURE From serial 0137001
	0010014355AE	
	0010014355CF	
	0010014355CG	
	0010014355CH	
	0010014355CM	
	0010014355CN	
	0010014355GF	
	0010014355KE	
	0010014355NA	
2	0010013191	UPPER HINGE
	0010013191AE	
	0010013191CF	
	0010013191CG	
	0010013191CH	
	0010013191CM	
	0010013191CN	
	0010013191GF	
	0010013191KE	
	0010013191NA	
3	VIT0000215	SCREW TE M8x25
4	VIT0000302	D 8.4 GROWER SPRING WASHER
5	VIT0004506	M 8 NUT
6	ELE0002410	EXTERNAL TRIPOLAR TERMINAL BLOCK
7	VIT0000236	E.H SCREW M 6 x 11 + FR
8	0010014074	DISPENSER SECURING BRACKET
9	VIT0010704	TPF 8 x 50 DOWEL
10	VIT0003303	WASHER D 6.5 x 18 x 1.5
11	VIT0002022	5.5x 60 TAPPING TCB SCREW
12	0270011485	DOOR SWITCH SUPPORT
13	VIT0003103	WASHER tab D 4.3
14	VIT0000012	SCREW T.C.B. M 4 x 10
15	ELE0002009	SAFETY SWITCH
16	0270011109CL	SERVICE KEY ASSEMBLY
17	ELE0055003	POWER LEAD H05VV-F 3 x 1.5 SCHUKO PLUG
17/a	ELE0055004	POWER LEAD H0VV-F 3 x 1.5 SC PLUG
17/b	ELE0055006	POWER LEAD H05VV-F 3 x 1.5 GB PLUG
18/a	0010014067	R.H. CABLES PROTECTION Up to serial 9538999
18/b	0010014087	L.H. CABLES PROTECTION Up to serial 0042999
18/c	0010014257	HORIZONTAL LEFT CABLES PROTECTION From serial 0043001
19	VIT0000030	SCREW TCB M4 x 7
20	VIT0009109	M 4 NUT IN RETAINER
21	0010014257	HORIZONTAL LEFT CABLES PROTECTION From serial 0043001
22	VIT0009102	M 6 NUT IN RETAINER
23/a	0010014062	COFFEE BEANS CONTAINER CONNECT
23/b	0010014105	GROUND COFFEE CONTAINER CONNEC
24	VIT0007021	3 x 7 ALUMINIUM RIVET
25	0010014063	RING FOR BIN (NO FOR VERSION FP)
26	CON0000201	RECTANGULAR BIN (NO FOR VERSION FP)
27	VIT0010501	SETTING PLATT ES.M 8 x 22 D.30 BLACK (NO FOR VERSION FP)
28	VIT0009152	CONNECTION (NO FOR VERSION FP)
29	VIT0009151	PIN (NO FOR VERSION FP)
30	0120004375	FRONT PROTECTION
	0120004375AE	
	0120004375CF	
	0120004375CG	
	0120004375CH	
	0120004375CM	
	0120004375CN	
	0120004375GF	
	0120004375KE	
	0120004375NA	
31		
32/a	0010014083	R.H. CABLES PROTECTION E4 From serial 0043001
32/b	0010014256	R.H. CABLES PROTECTION E5 From serial 0043001
33		
34		
35		
36		
37	0020034022	BUTTON PLUG



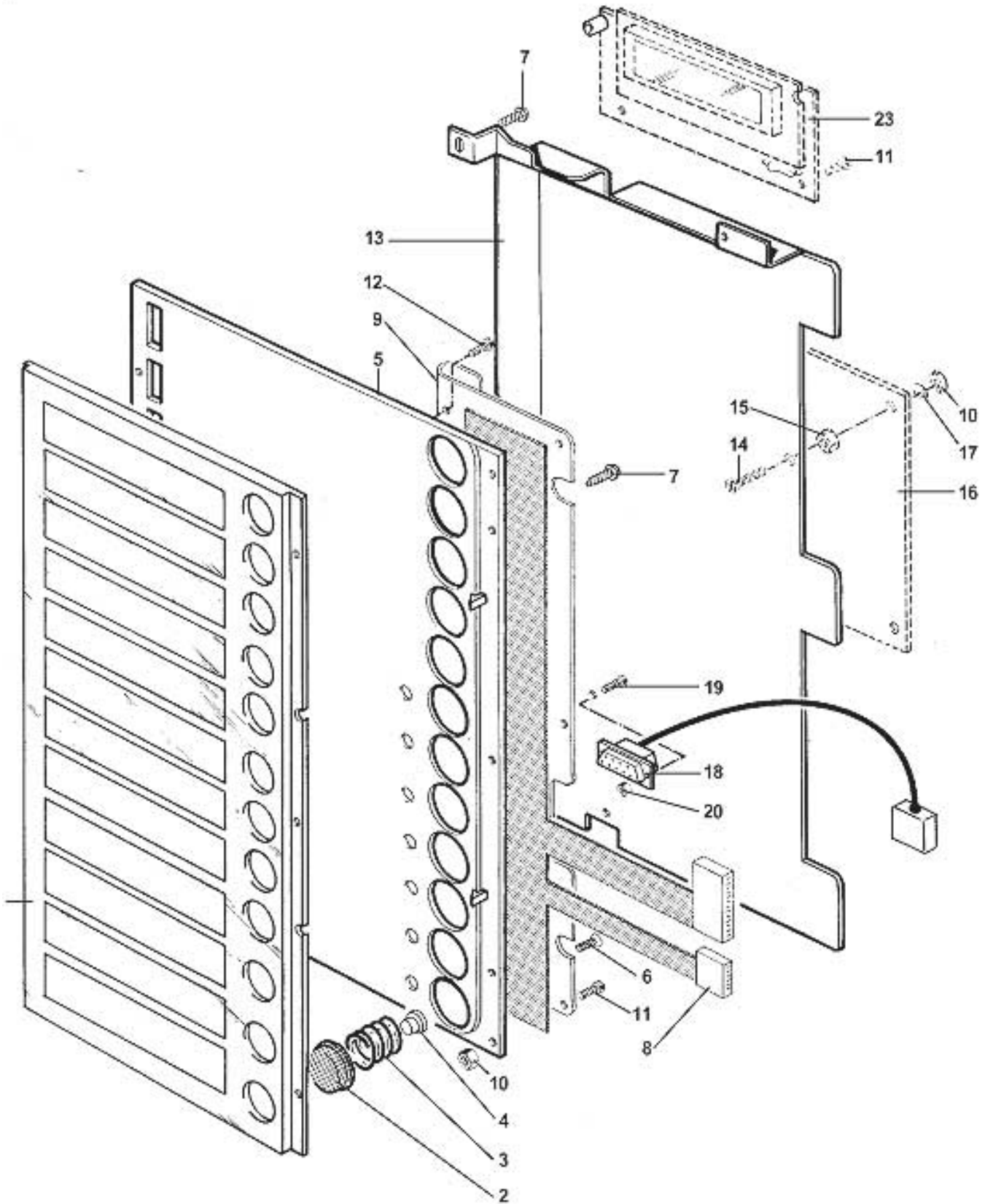
Pos.	Code	Description
1/a	0020034004/1	BALTICA FRONT DOOR Up to serial 9523999
1/b	0020034004/2	WHITE FRONT DOOR Up to serial 9523999
1/c	0020034154/1	MEDITERRANEA FRONT DOOR From serial 9527001
1/d	0020034154/2	BALTICA FRONT DOOR From serial 9527001
1/e	0020034154/3	POLARE FRONT DOOR From serial 9527001
1/f	0020034154/4	CUSTOM FRONT DOOR From serial 9527001
1/g	0020034154/5	CULTINO FRONT DOOR From serial 9527001
1/h	0020034154/6	CAPPUCCINO ESPRESSO FRONT DOOR From serial 9527001
1/i	0020034154/7	BLACK FRONT DOOR WITH ADHESIVE CAPPUCCINO ESPRESSO From serial 9527001
1/l	0020034154/8	RED FRONT DOOR WITH NEUTRAL ADHESIVE From serial 9527001
1/m	0020034154/9	BLACK FRONT DOOR WITH NESTLE ADHESIVE From serial 9527001
1/n	0020034154/10	WHITE FRONT DOOR WITH NEUTRAL ADHESIVE From serial 9527001
2	0020026234	LOWER SUPPORT
3	0020034034	SX VERTICAL PROFILE
	0020034034CF	
	0020034034CG	
	0020034034CK	
	0020034034CM	
	0020034034KE	
	0020034034KF	
	0020034034NA	
4	0020034035	DX VERTICAL PROFILE
	0020034035CF	
	0020034035CG	
	0020034035CK	
	0020034035CM	
	0020034035KE	
	0020034035KF	
	0020034035NA	
5	0020026341	NEUTRAL MODULE
6	0020026344	COIN RETURN MODULE
7	0020018162	COIN RETURN HATCH
8	0020026342	INSTRUCTION MODULE
9	0020026351	INSTRUCTION GLASS
10	0020026343	COIN INTRODUCTION MODULE
11		See table PULSANTIERA
12	0020034032	DISPLAY GLASS
13	0020029041	NEUTRAL UPPER SUPPORT
14	VIT0002452	TAPPING SCREW TCB 3.5 x 12
15	VIT0002401	TAPPING SCREW TCB 3.5 x 9.5
16/a	0270011466	DOOR SWITCH LEVER Up to serial 9523999
16/b	0270011481	SWITCH OPERATING SQUARE From serial 9527001
17	IMB0001208	MANUAL HOLDER ENVELOPE
18	4050010072	COIN RETURN BUTTON
19	4050010074	COIN RETURN BUTTON SPRING
20	0020034023	COIN RETURN PIN
21	0020034177	COIN RETURN BUTTON CONNECTION
22	0020026322	COIN RETURN LOWER BRACKET
23	0020034025	COIN RETURN UPPER LEVER
24	NL202100249	PIN
25	0020005013	COIN RETURN LEVER SPRING
26	VIT0006004	1.5x15 PIN
27	0020003418	COIN BOX PROTECTION SCREW
28	VIT0006012	1.8x40 PIN
29	0020029023NA	COIN INTRODUCTION CHUTE
30	0020029258	COIN INTRODUCTION CHUTE WALL
31/a	0020034026	CPU PROTECTION Up to serial 9523999
31/b	0020034165	CPU PROTECTION From serial 9527001 Up to serial 9619999
32	VIT0000012	SCREW T.C.B. M 4 x 10 Up to serial 9523999
33	0160014013	PLATE WITH STUD BOLT Up to serial 9523999
34	VIT0004503	NUT M 4 Up to serial 9523999
35/a	0020034027	COIN RETURN CHUTE ASSEMBLY Up to serial 9523999
35/b	0020034162	COIN ACCEPTANCE/RETURN CHUTE ASSEMBLY From serial 9527001
36	0030006005	COIN BOX
37	0030006006	COIN BOX COVER
38	SER0000010	BOX 5 RAPID EXTENSION LOCK
39	SER0001005	LOCK BRACKET
40	4030010113	COIN BOX HOOK
41/a	0020030017	DOOR STOP PIN Up to serial 9523999
41/b	0020034172	DOOR STOP ROD From serial 9527001
42/a	NL201106241	LOCK SECURING SCREW Up to serial 9523999
42/b	0020034173	PIN FOR DOOR STOP ROD From serial 9527001
43	0400080003	CLIPS STOP FRAME
44	0150001056	DRIP TRAP
45	0400080009/1	CUPS STOP HATCH
46	4600010012	SECURING CONNECTION
47	0400070104	L.H. SUPPORT
48	0400070127	R.H. SUPPORT
49	040006026NA	L.H. BRACKET
50	040006011NA	R.H. BRACKET
51	0400070177	LOCKING PLATE
	0400070171CA	
	0400070171CB	
	0400070171NA	
52	040007021	LOCKING SPRING
53	040007003	CUP STOP SUPPORT
54/a	040006033	CUP SUPPORT FOR STICKS MM 89
54/b	040006034	CUP SUPPORT FOR STICKS MM 104
55/a	VIT0007105	BUTTON FOR STICKS MM 104
55/b	VIT0007111	SECURING BUTTON FOR STICKS MM 104
56/a	VIT0007104	BUSH FOR STICKS MM 104
56/b	VIT0007110	BUSH FOR STICKS MM 104
57	0400080101	FEEDER SUPPORT
58	0150001052	FEEDER
	0150001052CA	
	0150001052CB	
	0150001052NA	
59	0150001053	FEEDER COUNTERPART
60	1150002112	LOCK BODY
	1150002112AE	
	1150002112CF	
	1150002112CG	
	1150002112CH	
	1150002112CM	
	1150002112CN	
	1150002112CF	
	1150002112KE	
	1150002112NA	
61	1150003306	LOCK SLEEVE
	1150003306AE	
	1150003306CF	
	1150003306CG	
	1150003306CH	
	1150003306CM	
	1150003306CN	
	1150003306CF	
	1150003306KE	
	1150003306NA	
62	SER0000003	G 5 TUBULAR LOCK
63	1150002113	SPRING
64	1150002111	LOCK PIN
65	VIT0005202	4 x 16 CYLINDRICAL PIN
66	VIT0006508	D.10 RADIAL STOP RING
67	1150003305	LOCK HOOK
68	1150003054	SPACER
69	VIT0003302	5.5x12x1.5 FLAT WASHER
70	VIT0003104	WASHER tab D. 5.1
71	VIT0000208	M 5x10 H.H. SCREW
72	VIT0000106	M 4x8 TSP SCREW
73		
74		
75		
76		
77	0020034168CB	CUPS HATCH GUIDE From serial 9527001
78/a	0020034171	CUPS LOADER LOWER BRACKET From serial 9527001 Up to serial 9744999
78/b	0020034178	500-CUP LOADER LOWER BRACKET From serial 9745001
79	VIT0004503	NUT M 4
80	VIT0003301	WASHER D.12 x 4.3 x 1.5
81	VIT0004555	QUICK-THREAD SCREW 3.5 x 20
82	0020034156	DOOR HINGE BUSH From serial 9527001
83	0020034167	MANUAL HOLDER ENVELOPE SUPPORT From serial 9527001
84	VIT0007102	BENZING-QUICKLOCK From serial 9527001
85	1150003300	SAGOMA LOCK ASSEMBLY
	1150003300AE	
	1150003300CF	
	1150003300CG	
	1150003300CH	
	1150003300CM	
	1150003300CN	
	1150003300CF	
	1150003300KE	
	1150003300NA	
86	0030006000L	SAGOMA COIN BOX ASSEMBLY
87	0030006004R	COIN BOX COVER ASSEMBLY
88	0020034174NB	CPU PROTECTION From serial 9620001
89	0020034175NB	COIN BOX PROTECTION From serial 9620001
90	0020034418	CONNECTOR SECURING PLATE
91	0020034417	CABLE PROTECTION



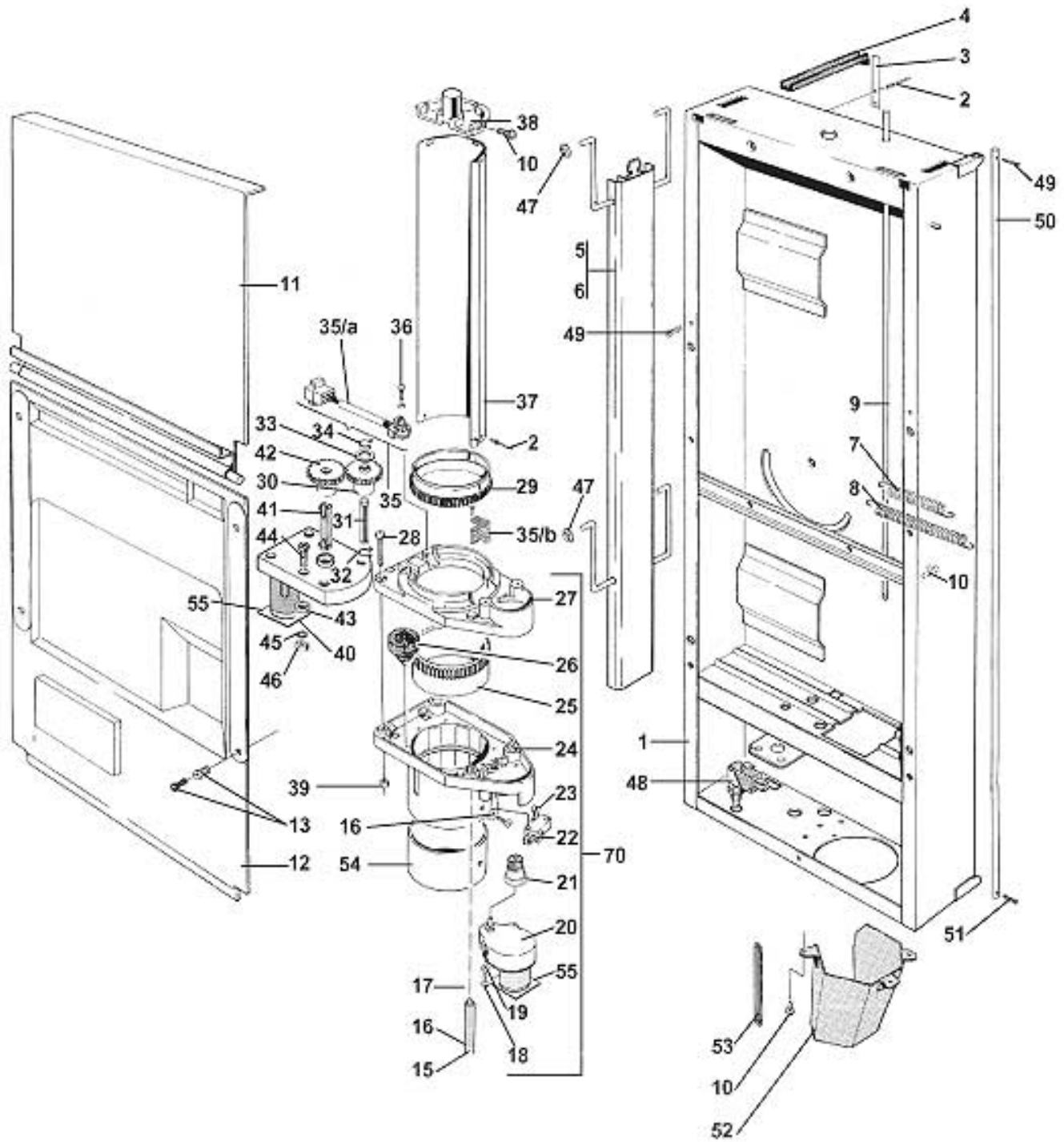
Pos.	Code	Description	
1/a	0020034456/1	COMPLETE SAGOMA DOOR	*
1/b	0020034456/2	COMPLETE SAGOMA DOOR	*
1/c	0020034456/3	COMPLETE SAGOMA DOOR	*
1/d	0020034456/4	COMPLETE SAGOMA DOOR	*
1/e	0020034456/5	COMPLETE SAGOMA DOOR	*
2	0020034413CG	LOWER SUPPORT	*
3	0020034414	LEFT SAGOMA LX - LUCE PROFILE	*
	0020034414CF		
	0020034414CG		
	0020034414CM		
	0020034414KE		
	0020034414KF		
	0020034414NA		
4	0020034413	RIGHT SAGOMA LX - LUCE PROFILE	*
	0020034413CF		
	0020034413CG		
	0020034413CM		
	0020034413KE		
	0020034413KF		
	0020034413NA		
5	0020034457CG	UPPER BAND RAL 7035	*
6	0020026344	COIN RETURN MODULE	*
7	0020018162	COIN RETURN HATCH	*
8	0020026342	INSTRUCTION MODULE	*
9	0020026351	INSTRUCTION GLASS	*
10	0020026343	COIN INTRODUCTION MODULE	*
11	see tab. 4		
12	0020034032	DISPLAY GLASS	*
13	0020029456	HOUSING CLOSING SHEET	*
14	VIT0002402	TAPPING SCREW TCB 3.5 x 12	*
15	VIT0002401	TAPPING SCREW TCB 3.5 x 9.5	*
16	0270011481	SWITCH OPERATING SQUARE	*
17	IMB0001208	MANUAL HOLDER ENVELOPE	*
18	4050010072	COIN RETURN BUTTON	*
19	4050010074	COIN RETURN BUTTON SPRING	*
20	0020034023	COIN RETURN PIN	*
21	0020029294	COINS MODULE COVER	*
22	0020026322	COIN RETURN LOWER BRACKET	*
23	0020034025	COIN RETURN UPPER LEVER	*
24	0020034187	PIN	*
25	0020005013	COIN RETURN LEVER SPRING	*
26	0020026341	NEUTRAL MODULE	*
27	VIT0000030	SCREW TCB M4 x 7	*
28	VIT0000041	TAPPING SCREW TCB 3.5 x 9.5	*
29	0020034045NA	COIN INTRODUCTION CHUTE	*
30	0020029258	COIN INTRODUCTION CHUTE WALL	*
31			
32			
33			
34			
35	0020029444	COIN ACCEPT-RETURN CHUTE ASSEMBLY	*
36	0030006105	COIN SHEET COVER	*
37	0030006005	COIN BOX COVER	*
38	SER0000010	BOX 5 RAPID EXTENSION LOCK	*
39	SER0001005	LOCK BRACKET	*
40	4060010113	COIN BOX HOOK	*
41	0020034172	DOOR STOP ROD	*
42	0020034173	PIN FOR DOOR STOP ROD	*
43	0400008003	CUPS STOP FRAME	*
44	0150001056	DRIP TRAP	*
45	0400008009/1	CUPS STOP HATCH	*
46	4600010012	SECURING CONNECTION	*
47	0400007014	L.H. SUPPORT	*
48	0400007027	R.H. SUPPORT	*
49	0400006026NA	L.H. BRACKET	*
50	0400006011NA	R.H. BRACKET	*
51	0400007011	LOCKING PLATE	*
	0400007017CA		
	0400007017CB		
	0400007017NA		
52	0400007021	LOCKING SPRING	*
53	0400007003	CUP STOP SUPPORT	*
54/a	0400006033	CUP SUPPORT	*
54/b	0400006034	CUP SUPPORT	*
55	VIT0007104R	BUSH	*
56	VIT0007110R	BUSH	*
57	0400008101	FEEDER SUPPORT	*
58	0150001052	FEEDER	*
	0150001052CA		
	0150001052CB		
	0150001052NA		
59	0150001015	FEEDER COUNTERPART	*
60	1150002112	LOCK BODY	*
	1150002112AE		
	1150002112CF		
	1150002112CG		
	1150002112CH		
	1150002112CM		
	1150002112CN		
	1150002112GF		
	1150002112KE		
	1150002112NA		
61/a	1150003306	LOCK SLEEVE Up to serial 0136999	*
	1150003306AE		
	1150003306CF		
	1150003306CG		
	1150003306CH		
	1150003306CM		
	1150003306CN		
	1150003306GF		
	1150003306KE		
	1150003306NA		
61/b	1150003336	LOCK SLEEVE From serial 0137001	*
	1150003336AE		
	1150003336CF		
	1150003336CG		
	1150003336CH		
	1150003336CM		
	1150003336CN		
	1150003336GF		
	1150003336KE		
	1150003336NA		
62	SER0000003	G 5 TUBULAR LOCK	*
63	1150002113	SPRING	*
64	1150002111	LOCK PIN	*
65	VIT0005203	4 x 18 CYLINDRICAL PIN	*
66	VIT0006508	D.10 RADIAL STOP RING	*
67/a	1150003305	LOCK HOOK Up to serial 0136999	*
67/b	1150003307	LOCK HOOK From serial 0137001	*
68	1150003054	SPACER	*
69	VIT0003302	5.5x12x1.5 FLAT WASHER	*
70	VIT0003104	WASHER tab D. 5.1	*
71	VIT0000208	M 5x10 H.H. SCREW	*
72	VIT0000107	M 4x10 TSP SCREW	*
73			
74			
75			
76	0020034168NA	CUPS BLACK HATCH GUIDE	*
77	0020034175	500-CUP LOADER LOWER BRACKET	*
78	VIT0004815	M 4 SELFLOCKING NUT	*
79	VIT0003301	WASHER D.12 x 4.3 x 1.5	*
80	VIT0002455	QUICK-THREAD SCREW 3.5 x 20	*
81	0020034156	DOOR HINGE BUSH	*
82	0020034187	MANUAL HOLDER ENVELOPE SUPPORT	*
83	VIT0007102	BENZING-QUICKLOCK	*
84	1150003300	SAGOMA LOCK ASSEMBLY	*
	1150003300AE		
	1150003300CF		
	1150003300CG		
	1150003300CH		
	1150003300CM		
	1150003300CN		
	1150003300GF		
	1150003300KE		
	1150003300NA		
86			
87	0030006004R	COIN BOX COVER ASSEMBLY	*
88/a	0020034174NB	CPU PROTECTION	*
88/b	0020034518NB	CPU PROTECTION (only for new electronic versions)	*
89/a	0020034175NB	COIN BOX PROTECTION	*
89/b	0020034409NB	COIN BOX PROTECTION (for new electronics version)	*
90	002003418	CONNECTOR SECURING PLATE	*
91	0020034417	CABLE PROTECTION	*
92	0020029626	SUGAR MODULE DISPLAY WITH SUGAR	*
	0020029626CF		
	0020029626CG		
	0020029626CM		
	0020029626CS		
	0020029626NA		
93	0020034538NA	BLACK LED DISPLAY GLASS	*



Pos.	Code	Description
1	0020034406	SAGOMA DOOR LX
	0020034406AE	
	0020034406CG	
	0020034406CH	
	0020034406CM	
	0020034406CF	
	0020034406NA	
2	0020034411CG	UPPER BAND RAL 7035
3	0020034408CG	SIDE FRAME RAL 7035
4	0020034279CG	LOWER SUPPORT
5	1010069461	CRIP CUP SAGOMA LX ADESIVE PA
6	0020026343CG	COIN INTRODUCTION/RETURN MODULE
7	0020026342CG	INSTRUCTION MODULE
8	0020034414	LEFT SAGOMA LX - LUCE PROFILE
	0020034414CF	
	0020034414CG	
	0020034414CM	
	0020034414KE	
	0020034414KF	
	0020034414NA	
9	0020034413	RIGHT SAGOMA LX - LUCE PROFILE
	0020034413CF	
	0020034413CG	
	0020034413CM	
	0020034413KE	
	0020034413KF	
	0020034413NA	
10	Ved1 tav 4	
11/a	002003428CG	RAL 7035 DISPLAY GLASS (for sugar regulation version) ONLY FOR VERSION WITH SUGAR REGULATION
11/b	0020034108NA	BLACK DISPLAY GLASS (for sugar regulation version) ONLY FOR VERSION WITH SUGAR REGULATION
12	0020034278CG	UPPER SUPPORT ONLY FOR VERSION WITH SUGAR REGULATION
13	0020034178	500-CUP LOADER LOWER BRACKET ONLY FOR VERSION WITH SUGAR REGULATION
14	VIT0002401	TAPPING SCREW TCB 3.5 x 9.5 ONLY FOR VERSION WITH SUGAR REGULATION
15	1150003500	SAGOMA LX COMPLETE LOCK ONLY FOR VERSION WITH SUGAR REGULATION
	1150003500AE	
	1150003500CF	
	1150003500CG	
	1150003500CH	
	1150003500CM	
	1150003500KE	
	1150003500KF	
	1150003500NA	
16	SER0000003	G 5 TUBULAR LOCK ONLY FOR VERSION WITH SUGAR REGULATION
17	VIT0002113	SPRING ONLY FOR VERSION WITH SUGAR REGULATION
18	VIT0002111	LOCK PIN ONLY FOR VERSION WITH SUGAR REGULATION
19	VIT0005202	4 x 16 CYLINDRICAL PIN ONLY FOR VERSION WITH SUGAR REGULATION
20	VIT0006508	D.10 RADIAL STOP RING ONLY FOR VERSION WITH SUGAR REGULATION
21	VIT0002112	LOCK BODY ONLY FOR VERSION WITH SUGAR REGULATION
	1150002112AE	
	1150002112CF	
	1150002112CG	
	1150002112CH	
	1150002112CM	
	1150002112CN	
	1150002112CF	
	1150002112KE	
	1150002112NA	
22	1150003326	SLEEVE ONLY FOR VERSION WITH SUGAR REGULATION
	1150003326AE	
	1150003326CF	
	1150003326CG	
	1150003326CH	
	1150003326CM	
	1150003326CN	
	1150003326CF	
	1150003326KE	
	1150003326NA	
23	VIT0000108	M.4x16 TSP SCREW ONLY FOR VERSION WITH SUGAR REGULATION
24/a	1150003327	LOCK HOOK SAGOMA LX ONLY FOR VERSION WITH SUGAR REGULATION Up to serial 0136999
24/b	1150003328	LOCK HOOK SAGOMA LX ONLY FOR VERSION WITH SUGAR REGULATION From serial 0137001
25	VIT0004815	M 4 SELFLOCKING NUT ONLY FOR VERSION WITH SUGAR REGULATION
26	VIT0003302	5.5x12x1.5 FLAT WASHER ONLY FOR VERSION WITH SUGAR REGULATION
27	VIT0002114	WASHER tab D. 5.1 ONLY FOR VERSION WITH SUGAR REGULATION
28	VIT0000208	M 5x10 H. SCREW ONLY FOR VERSION WITH SUGAR REGULATION
29	0020034407CG	CUPS STOP FRAME
30	040008009/2	CUPS STOP HATCH
31	0020034168CB	CUPS HATCH GUIDE
32	VIT0003301	WASHER D. 12 x 4.3 x 1.5
33	VIT0002464	QUICK-THREAD SCREW 3.5 x 10 CROSS
34	0270011481	SWITCH OPERATING SQUARE
35	0020034156	DOOR HINGE BUSH
36	0020034167	MANUAL HOLDER ENVELOPE SUPPORT
37	IMB0001208	MANUAL HOLDER ENVELOPE
38	0020005013	COIN RETURN LEVER SPRING
39	0020034187	PIN
40	4050010072	COIN RETURN BUTTON
41	4050010074	COIN RETURN BUTTON SPRING
42	0020034023	COIN RETURN PIN
43	0020029294	COINS MODULE COVER
44	0020034025	COIN RETURN UPPER LEVER
45	0020026322	COIN RETURN LOWER BRACKET
46	VIT0000708	SCREW TCB M4 x 7
47	VIT0007008	M 4 x 10 SELF
48	0020034045CB	COIN INTRODUCTION CHUTE 153155
49	0020029258	COIN INTRODUCTION CHUTE WALL
50/a	0020034174NB	CPU PROTECTION FOR OLD ELECTRONIC VERSION
50/b	0020034158NB	CPU PROTECTION (only for new electronic versions) FOR NEW ELECTRONIC VERSION
51	460001019	SECURING CONNECTION FOR NEW ELECTRONIC VERSION
52	0020029444	COIN ACCEPT-RETURN CHUTE ASSEMBLY FOR NEW ELECTRONIC VERSION
53	0020018162	COIN RETURN HATCH
54	SER0000010	BOX 5 RAPID EXTENSION LOCK
55	0030006009	COIN BOX COVER
56	SER0001005	LOCK BRACKET
57	0030006004R	COIN BOX COVER ASSEMBLY
58	0030006105	COIN SHEET COVER
59	4060010113	COIN BOX HOOK
60	0020034172	DOOR STOP ROD
61	0020034173	PIN FOR DOOR STOP ROD
62	VIT0007102	BENZING-QUICKLOCK
63	0400007021	LOCKING SPRING
64	0400007017	LOCKING PLATE
	0400007017CA	
	0400007017CB	
	0400007017NA	
65	0400007027NA	R.H. SUPPORT
66	0400006011NA	R.H. BRACKET
67	0400006033NA	CUP SUPPORT
68	VIT0007104R	BUSH
69	0020026341	NEUTRAL MODULE
70	0400007003NA	CUP STOP SUPPORT
71	0150001056	DRIP TRAP
72	0150001052	FEEDER
	0150001052CA	
	0150001052CB	
	0150001052NA	
73	0400008101NA	FEEDER SUPPORT
74	0150001053	FEEDER COUNTERPART
75	0400007014NA	L.H. SUPPORT
76	0400006026NA	L.H. BRACKET
77/a	0020034175NB	COIN BOX PROTECTION FOR OLD ELECTRONIC VERSION
77/b	0020034159NB	COIN BOX PROTECTION (for new electronics version) FOR NEW ELECTRONIC VERSION
78	0020034409NB	COIN BOX PROTECTION (for new electronics version)
79	0400007028	SECURITY PLATE
80	0020034172	DOOR STOP ROD
81	0020034173	PIN FOR DOOR STOP ROD
82	VIT0007102	BENZING-QUICKLOCK
83	0400007021	LOCKING SPRING
84	0400007017	LOCKING PLATE
	0400007017CA	
	0400007017CB	
	0400007017NA	
85	0400007027NA	R.H. SUPPORT
86	0400006011NA	R.H. BRACKET
87	0400006033NA	CUP SUPPORT
88	VIT0007104R	BUSH
89	0020026341	NEUTRAL MODULE
90	0400007003NA	CUP STOP SUPPORT
91	0150001056	DRIP TRAP
92	0150001052	FEEDER
	0150001052CA	
	0150001052CB	
	0150001052NA	
93	0400008101NA	FEEDER SUPPORT
94	0150001053	FEEDER COUNTERPART
95	0400007014NA	L.H. SUPPORT
96	0400006026NA	L.H. BRACKET
97/a	0020034175NB	COIN BOX PROTECTION FOR OLD ELECTRONIC VERSION
97/b	0020034159NB	COIN BOX PROTECTION (for new electronics version) FOR NEW ELECTRONIC VERSION
98	0020034409NB	COIN BOX PROTECTION (for new electronics version)
99	0400007028	SECURITY PLATE
100	VIT0002401	TAPPING SCREW TCB 3.5 x 9.5
101	VIT0002002	3.5 x 6.5 TCB SCREW
102	0020029456	HOUSING CLOSING SHEET
	0020029637	WASHING PROGRAM KEYBOARD LABEL

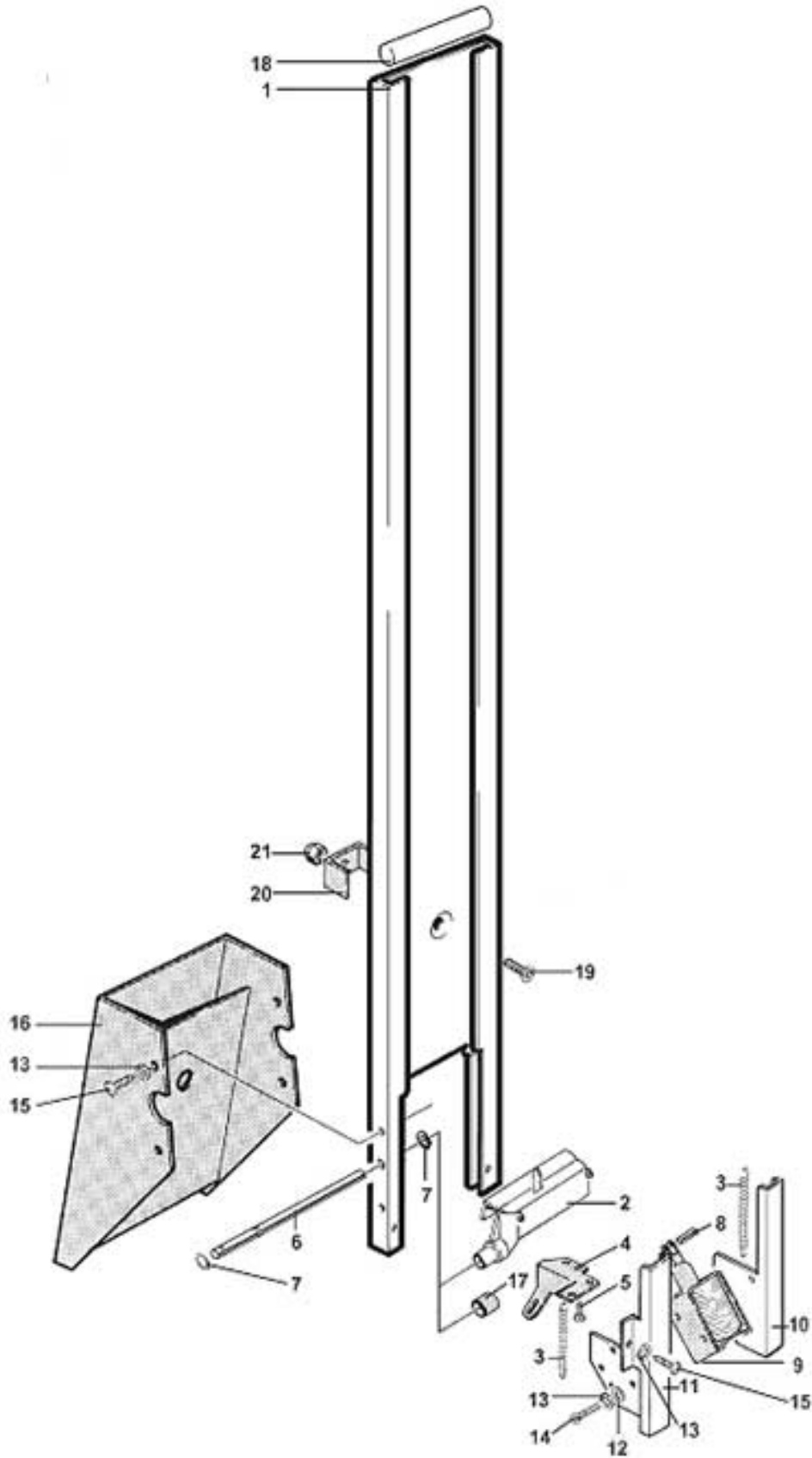


Pos.	Code	Description	
1/1	0020034105CG	SPOTTED BUTTONS GLASS	*
1/2	0020034105CI	GREY BUTTON GLASS	*
1/3	0020034105NA	BLACK BUTTON GLASS	*
2/1	0020034015AB	WHITE BUTTON	*
2/2	0020034015CD	GREY BUTTON	*
2/3	0020034015CK	GREY BUTTON	*
2/4	0020034015GC	JELLOW BUTTON	*
2/5	0020034015IC	ORANGE BUTTON	*
2/6	0020034015KA	RED BUTTON	*
2/7	0020034015MA	GREEN BUTTON	*
2/8	0020034015NA	BLACK BUTTON	*
2/9	0020034015PB	BLUE BUTTON	*
3	0020034016	BUTTON SPRING	
4	0020034022	BUTTON PLUG	
5	0020034014	BUTTONS PLATE	
6	VIT0000031	M 2.5x6 SLOTTED SCREW	
7	VIT0002401	TAPPING SCREW TCB 3.5 x 9.5	
8	0020034050	KEYBOARD	
9	0020034033	KEYBOARD SUPPORT	
10	VIT0004503	NUT M 4	
11	VIT0000030	SCREW TCB M4 x 7	
12	VIT0002001	2.9x 6.5 TAPPING TCB SCREW	
13/a	0020034158	CPU BOARD SUPPORT (for old electronics versions) FOR OLD ELECTRONIC VERSION	
13/b	0020034299	CPU BOARD SUPPORT (for new electronics versions) FOR NEW ELECTRONIC VERSION	
14	VIT0000014	M 4x16 TCB SCREW	
15	0020018125	BOARD SPACER	
16	see tab. 18		
17	VIT0003502	PLASTIC WASHER D.4 SP.0.5	
18	CBL0900704	DATA COLLECTION WIRING	
19	VIT0000002	M 3x16 TCB SCREW	
20	VIT0004502	M3 NUT	
21	0020034512	PROGRAMMING KEYBOARD SECURING PLATE	
22	see tab. 18		

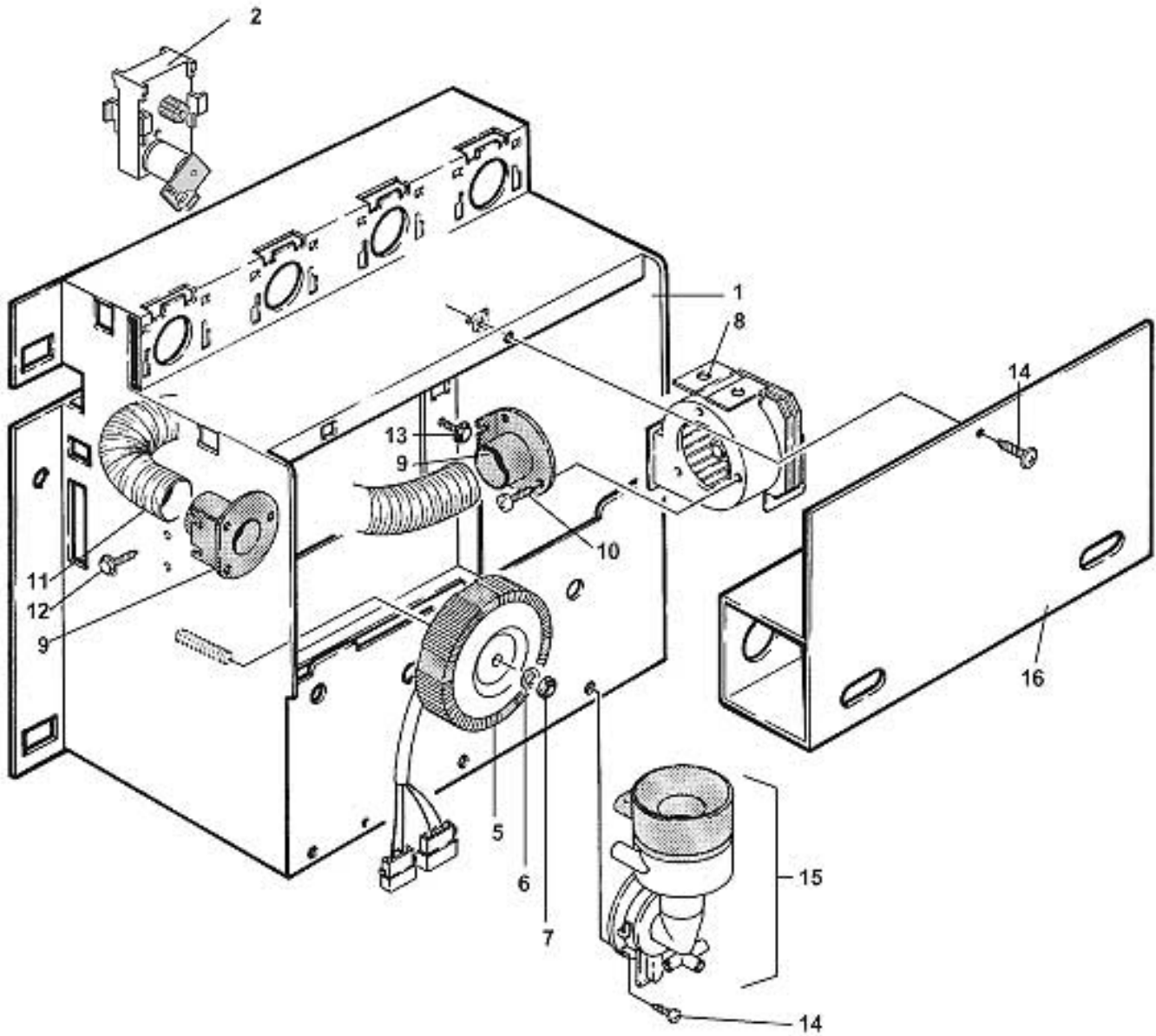


Pos.	Code	Description
1	0180011755	500-CUP LOADER STRUCTURE
2	VIT0007020	3 x 7 ALUMINIUM RIVET
3	0180009051	STOP CONNECTION SPRING
4	0180009054	STOP CONNECTION
5	0180011757R	L.H. WALL ASSEMBLY
6	0180011758R	R.H. WALL ASSEMBLY
7	2100002007	CUPS LOADER SPRING
8	0180011554	SPRING
9	0180011759	CUPS GUIDE PIN
10	VIT0002401	TAPPING SCREW TCB 3.5 x 9.5
11	0180011764	LOADER COVER
12	0180011771CK	FIXED COVER
13	VIT0007110R	BUSH
14		
15	VIT0000002	M 3x16 TCB SCREW
16	VIT0003002	D.3.2x7x0.5 WASHER
17	0180011534	COLUMN
18	VIT0000006	M 3x16 TCB SCREW
19	VIT0003102	WASHER tab D. 3.2
20	0090002512	24 V DC 10 ROM GEAR MOTOR HEXAGONAL SHAFT
21	0190006007	FGEAR MOTOR PINION
22	ELE0001522	1-WAY 16 A 250 V MICROSWITCH
23	ELE0001906	161 E R 24.1 MICRO LEVER
24	0190006056	LOWER PLATE
25	0190006004	Z 66 RING NUT
26	0190006005	CAM WITH PINION
27	0190012155	UPPER PLATE
28	VIT0000019	M 5x35 TCB SCREW
29	0180011762	CENTRAL COLUMN RING NUT
30	0190012108	Z.30 PINION
31	0180011533	DB SHAFT FOR Z.30 PINION
32	VIT0006502	D.3.2 RADIAL STOP RING
33	VIT0003303	WASHER D.6.5 x 18 x 1.5
34	VIT0006503	D.4 RADIAL STOP RING
35/a	CBL0900201	CUP DETECTOR+ COLUMN DETECTOR
35/b	SCH0004220	CUP DETECTOR
36	VIT0002001	2.9x 6.5 TAPPING TCB SCREW
37	0180011761	CENTRAL COLUMN
38	0180005007	CENTRAL COLUMN GUIDE
39	VIT0004504	M 4 NUT
40	0090002114R	24V D.C. GEAR MOTOR 24 R.P.M.
41	0380010421	GEAR MOTOR SHAFT
42	0180011544	Z.30 PINION WITH SQUARE SEAT
43	0180011553	GEAR MOTOR SPACER
44	VIT0000015	M 4x25 TCB SCREW
45	VIT0003103	WASHER tab D. 4.3
46	VIT0004503	NUT M 4
47	VIT0007102	BENZING-QUICKLOCK
48	ELE0001506	MICROSWITCH 83.131.8-IW3M FOR OLD ELECTRONIC VERSION
49	VIT0002001	2.9x 6.5 TAPPING TCB SCREW FOR OLD ELECTRONIC VERSION
50	0180011763	LOADER HINGE PIN FOR OLD ELECTRONIC VERSION
51	VIT0006004	1.5x15 PIN FOR OLD ELECTRONIC VERSION
52	0180011528	CUPS CHUTE FOR OLD ELECTRONIC VERSION
53	0180010058	CUP STOP PIN FOR OLD ELECTRONIC VERSION
54	0190006057	H.55 CUP GUIDE CHUTE FOR OLD ELECTRONIC VERSION
70	0190006065CL	24V DC CUPS DISPENSER FOR OLD ELECTRONIC VERSION
100	0180011750CL	CUPS LOADER FOR OLD ELECTRONIC VERSION

assieme

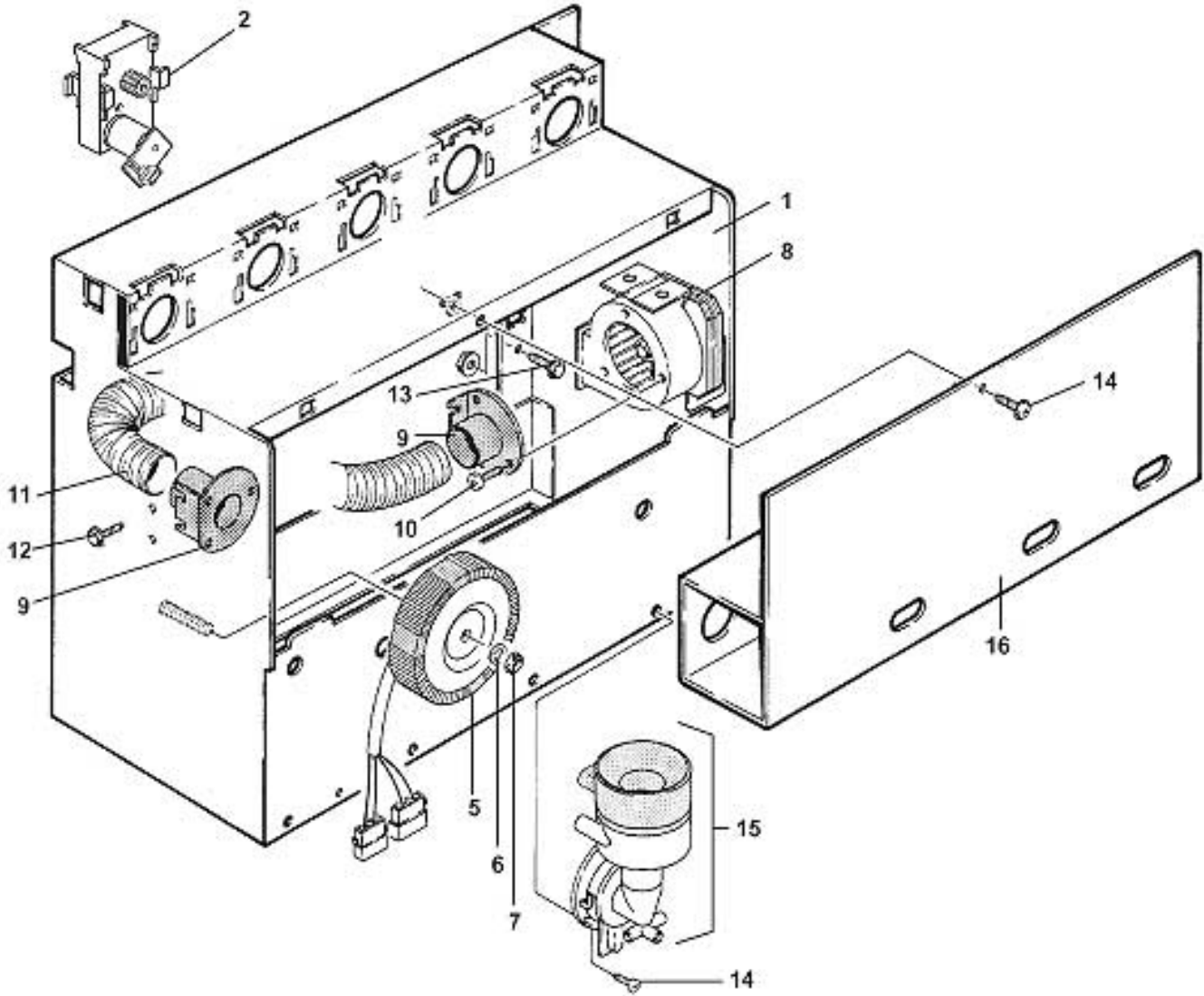


Pos.	Code	Description	
1/a	0450007013	STICKS CONTAINER mm 89	
1/b	0450003076	STICKS CONTAINER mm 104	
2	0450002003	STICKS DISPENSER	
3	0450003010	RETURN SPRING	
4	0450003108	ELECTROMAGNET CONNECTING ROD	
5	VIT0002452	TAPPING SCREW TCB 3.5 x 12	
6/a	0450003008	STICKS DISPENSER PIN 89 mm	
6/b	0450003032	STICKS DISPENSER PIN 104 mm	
7	VIT0006504	D.5 RADIAL STOP RING	
8	VIT0005211	2.5 x 12 CYLINDRICAL PIN	
9	ELE0000055	24 V DC ELECTROMAGNET	
10	0450003106	ELECTROMAGNET R.H SUPPORT	
11	0450003107	ELECTROMAGNET L.H. SUPPORT	
12	VIT0003003	WASHER D.8 x 4.3 x 0.8	
13	VIT0003405	D.4.3 GROWER WASHER	
14	VIT0000021	M 4x6 TCB SCREW	
15	VIT0002401	TAPPING SCREW TCB 3.5 x 9.5	
16/a	0450003066	STICKS FEEDER mm 89	
16/b	0450003077	STICKS FEEDER mm 104	
17	0450003031	STICKS DISPENSER SPACER 104 mm	
18/a	4001012030	STICK WEIGHT 89 mm	
18/b	0450003033	STICK WEIGHT 104 mm	
19	VIT0000109	M 4x20 TSP SCREW	
20	4600010012	SECURING CONNECTION From serial 9527001	
21	VIT0004810	M 4 SELFLOCKING NUT	
100	0450003060CL	SAGOMA STICKS DISPENSER mm 89	assieme
101	0450003070CL	SAGOMA STICKS DISPENSER mm 104	assieme

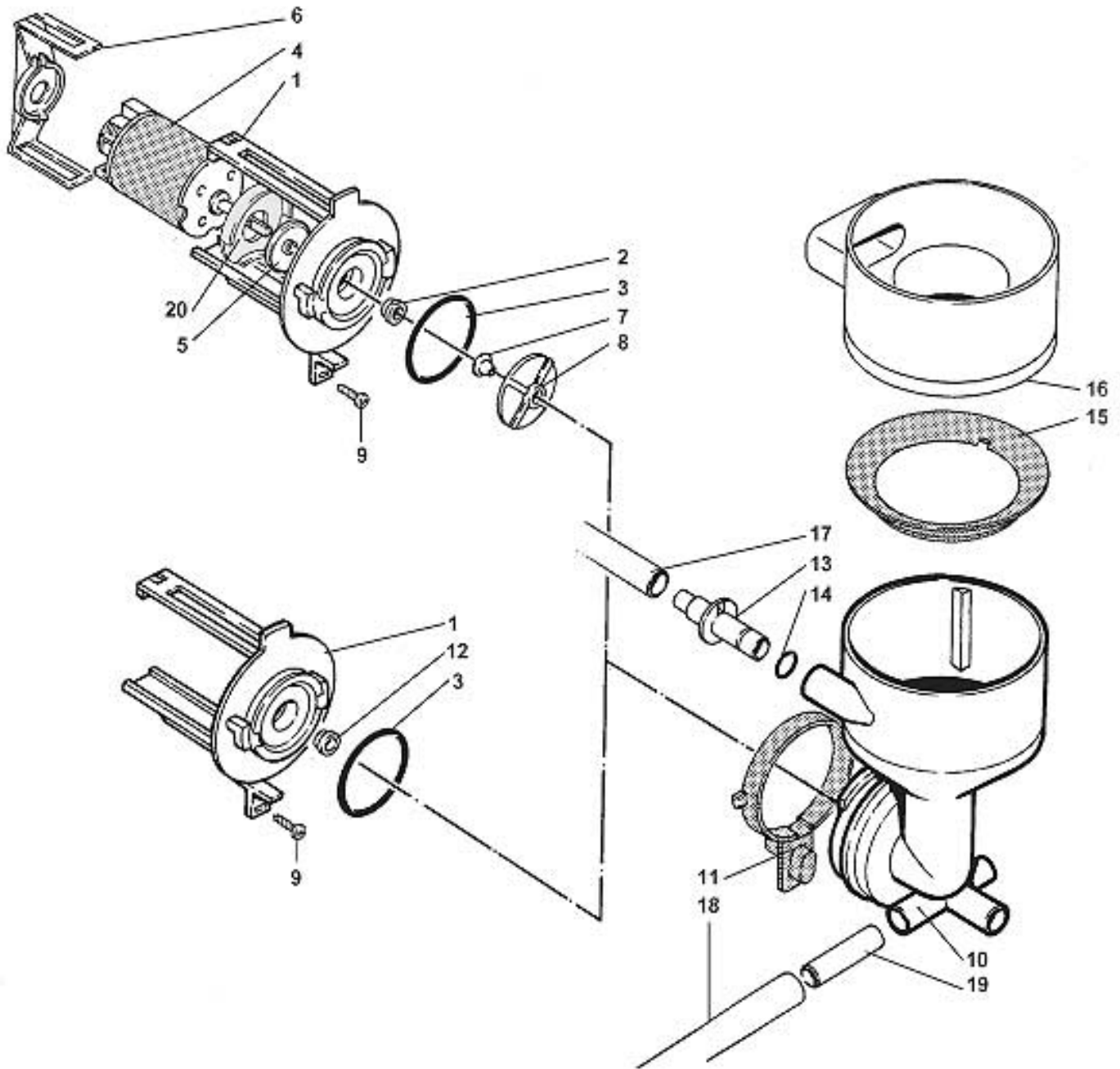


SAGOMA - SOLUBLES DISPENSER H

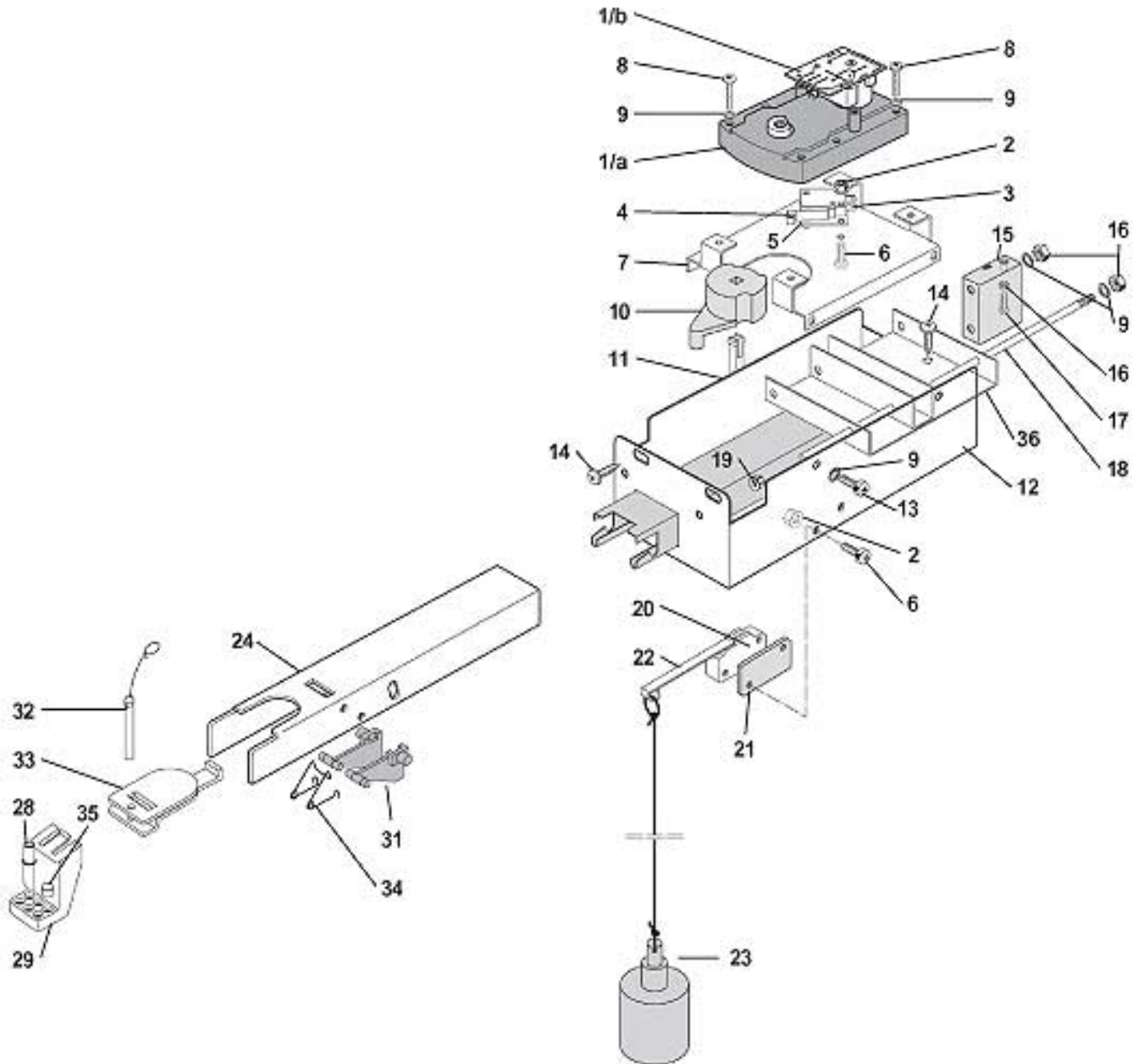
Pos.	Code	Description
1/a	0070010408R	SOLUBLES 5 HOUSING
1/b	0070010964R	SOLUBLES HOUSING 6
2	0090002113R	24 V DC 80 RPM PRODUCT GEAR MOTOR
3		
4		
5	ELE0000565R	150VA E.230V-U.26-8,6V TOROIDAL TRANSFORMER
6	VIT0003453	6.4x12.5x1.6 FLAT WASHER
7	VIT0004505	NUT M6
8	ELE0000458	EXHAUST FAN
9	0010014071	D.30 EXHAUST COVER
10	VIT0002001	2.9x 6.5 TAPPING TCB SCREW
11	TEOL000002	EXTERNAL WRINKLED PIPE D.30
12	VIT0002452	TAPPING SCREW TCB 3.5 x 12
13	VIT0002455	QUICK-THREAD SCREW 3.5 x 20
14	VIT0002401	TAPPING SCREW TCB 3.5 x 9.5
15	see tab. 8	
16/a	0070010411	H/5 EXHAUST COVER ASSEMBLY
16/b	0070010969	H/6 COMPLETE EXHAUST



Pos.	Code	Description
1	0070010455R	SOLUBLES 4 HOUSING
2	0090002113R	24 V DC 80 RPM PRODUCT GEAR MOTOR
3		
4		
5	ELE0000565	
6	VIT0003453	6.4x12.5x1.6 FLAT WASHER
7	VIT0004505	NUT M6
8	ELE0000458	EXHAUST FAN
9	0010014071	D.30 EXHAUST COVER
10	VIT0002001	2.9x 6.5 TAPPING TCB SCREW
11	TEOL000002	EXTERNAL WRINKLED PIPE D.30
12	VIT0002452	TAPPING SCREW TCB 3.5 x 12
13	VIT0002455	QUICK-THREAD SCREW 3.5 x 20
14	VIT0002401	TAPPING SCREW TCB 3.5 x 9.5
15	Vedi tav. 8	
16/a	0070010459	'E' EXHAUST COVER ASSEMBLY
16/b	0070010422	E/5 ASSEMBLY EXHAUST COVER



Pos.	Code	Description	
1	0080100005	MIXER BASE	
2	0080100015	MIXER BASE BUSH	
3	GUA0000084	OR 3131	
4	0090003023	24 V DC MIXER MOTOR SHAFT D.4	
5	0080100024	DRIP TRAP FAN	
6	0080100009	MOTOR HOUSING CONNECTION	
7	0080100014	MIXER SHAFT GASKET D.4	
8	0080100011	SMALL FAN MIXER SHAFT D.4	
9	VIT0002401	TAPPING SCREW TCB 3.5 x 9.5	
10	0080100007	MIXER BODY WITH TRAY	
11	0080100006	STOPPER RING	
12	0080100018	MIXER BASE PLUG	
13	0080100013	MIXER CONNECTION	
14	GUA0000085	SILICONE OR 106	
15	0080100022	MIXER BODY RING	
16	0080100021	EXHAUST BODY	
17	TSIL07/11T	TRANSPARENT SILICONE PIPE D.7 x 11	
18	TSIL06/09T	TRANSPARENT SILICONE PIPE D.6 x 9	
19	0080027029	REDUCTION FOR CAFFEINE-FREE COFFE	
20	0080100023	MIXER COVER	
100	0080100001R	MIXER BASE+MOTOR ASSEMBLY	assieme
101	0080100007R	MIXER BODY + RING STOPPER (pos.10+11)	assieme



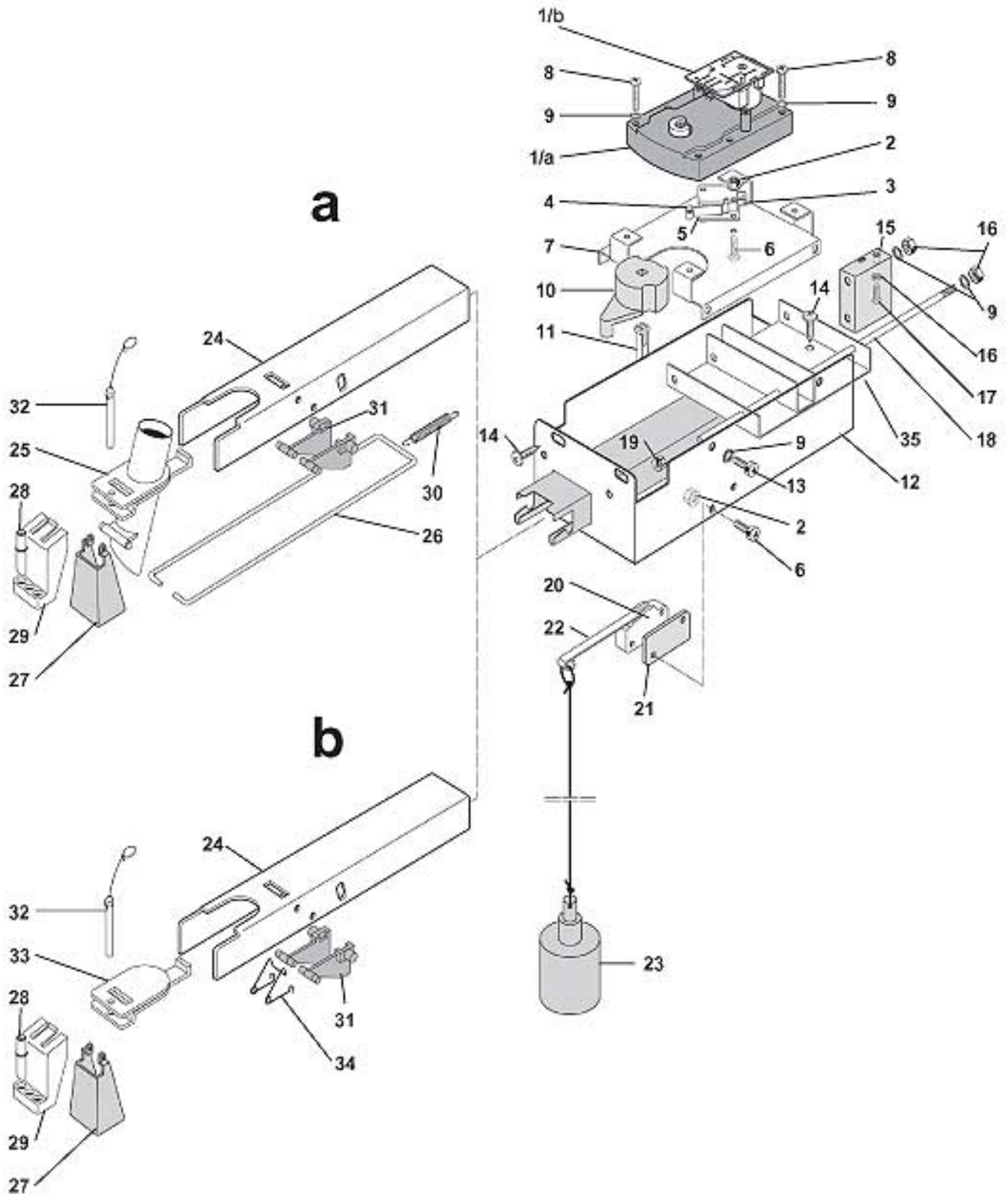
SAGOMA - DISTRIBUTION PIPES MOVEMENT

Pos.	Code	Description
1	0090002110R	24 V DC 24 RPM GEAR MOTOR + BRAKE WITH FILTER FOR OLD ELECTRONIC VERSION
1/a	0090002109	24V D.C. GEAR MOTOR 24 R.P.M. FOR OLD ELECTRONIC VERSION
1/b	SCH0003220	BRAKE FOR DC MOTOR W/FILTER FOR OLD ELECTRONIC VERSION
1	0090002114R	24V D.C. GEAR MOTOR 24 R.P.M. FOR NEW ELECTRONIC VERSION
1/a	0090002114	GEAR MOTOR MOD.930 11RPM 24V DC FOR NEW ELECTRONIC VERSION
1/b	SCH0004980	DC MOTORS FILTER FOR NEW ELECTRONIC VERSION
2	VIT0004701	M3 FR NUT FOR NEW ELECTRONIC VERSION
3	ELE0001528	MICRO 83.161.832 FOR NEW ELECTRONIC VERSION
4	ELE0001906	161 E R 24.1 MICRO LEVER FOR NEW ELECTRONIC VERSION
5	7500902054	SUPPLEMENTARY INSULATION FOR NEW ELECTRONIC VERSION
6	VIT0000006	M 3x16 TCB SCREW FOR NEW ELECTRONIC VERSION
7	0380010436	GEAR MOTOR SUPPORT FOR NEW ELECTRONIC VERSION
8	VIT0000015	M 4x25 TCB SCREW FOR NEW ELECTRONIC VERSION
9	VIT0003105	WASHER tab D. 6.4 FOR NEW ELECTRONIC VERSION
10	0380010508	GEAR MOTOR CAM mm 36 FOR NEW ELECTRONIC VERSION
11	0380010421	GEAR MOTOR SHAFT FOR NEW ELECTRONIC VERSION
12	0380010492	FASCIA PIPES MOVEMENT ESTRAIBILE FOR NEW ELECTRONIC VERSION
13	VIT0002009	TAPPING SCREW T.C.B. 3.5 x 6.5 FOR NEW ELECTRONIC VERSION
14	VIT0002401	TAPPING SCREW TCB 3.5 x 9.5 FOR NEW ELECTRONIC VERSION
15		FOR NEW ELECTRONIC VERSION
16	VIT0004503	NUT M 4 FOR NEW ELECTRONIC VERSION
17		FOR NEW ELECTRONIC VERSION
18	0380010411	PIPES SUPPORT GUIDE SHAFT FOR NEW ELECTRONIC VERSION
19	0380010534	PIPES SUPPORT GUIDE BUSH FOR NEW ELECTRONIC VERSION
20	ELE0001522	1-WAY 16 A 250 V MICROSWITCH FOR NEW ELECTRONIC VERSION
21	4600010014	MICRO SPACER FOR NEW ELECTRONIC VERSION
22	NL201106265	MICRO LEVER FOR NEW ELECTRONIC VERSION
23	0070003022	FLOATER ASSEMBLY FOR NEW ELECTRONIC VERSION
24	0380010542	PRODUCT PIPES SUPPORT FOR NEW ELECTRONIC VERSION
25		FOR NEW ELECTRONIC VERSION
26		FOR NEW ELECTRONIC VERSION
27		FOR NEW ELECTRONIC VERSION
28	0380010657NA	DISPENSER FOR NEW ELECTRONIC VERSION
29/a	0380010491	PRODUCT PIPES SUPPORT / 3 FOR NEW ELECTRONIC VERSION
29/b	0380010655	PRODUCT PIPES SUPPORT FOR NEW ELECTRONIC VERSION
30		FOR NEW ELECTRONIC VERSION
31	0380010599	KEY PIPES MOVEMENT FOR NEW ELECTRONIC VERSION
32	0380010429CL	SECURING PIN ASSEMBLY FOR NEW ELECTRONIC VERSION
33	0380010459	PIPES SUPPORT PLATE FOR NEW ELECTRONIC VERSION
34	0380010629	KEY PIPES MOVEMENT FOR NEW ELECTRONIC VERSION
35	0380010656NA	PLUG FOR NEW ELECTRONIC VERSION
36	0380010531	PIPES SUPPORT GUIDE FOR NEW ELECTRONIC VERSION
37	0380010623	PIPES SUPPORT GUIDE FOR NEW ELECTRONIC VERSION
38	0380010632NA	PIPES MOVEMENT PROTECTION FOR NEW ELECTRONIC VERSION
100	0380010454CL	PIPES MOVEMENT ESTRAIBILE SAGOMA H FOR NEW ELECTRONIC VERSION
101	0380010456CL	PIPES MOVEMENT SAGOMA LUCE H NEW ELECTRONIC WITH RELEASE FOR NEW ELECTRONIC VERSION

**

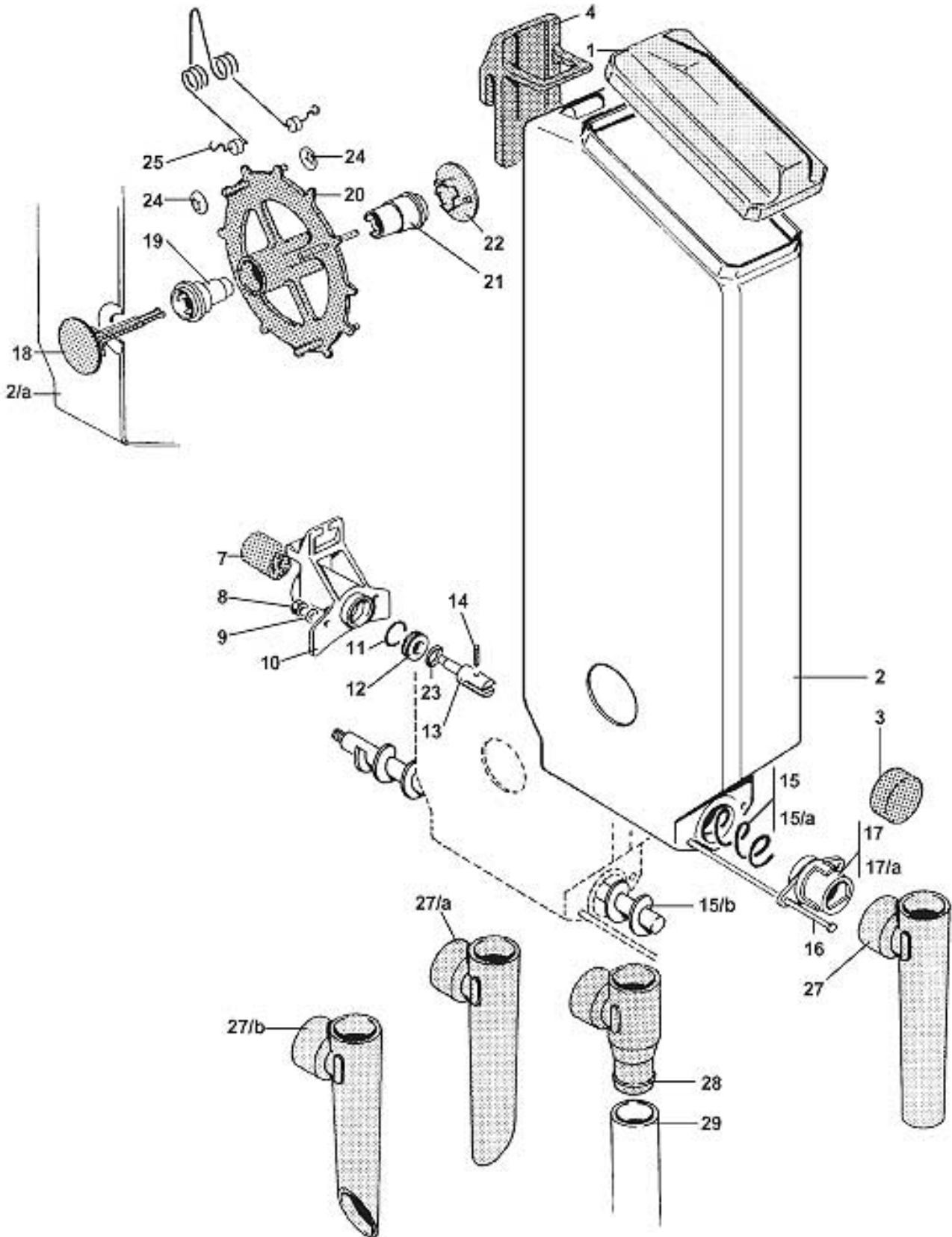
assieme

assieme

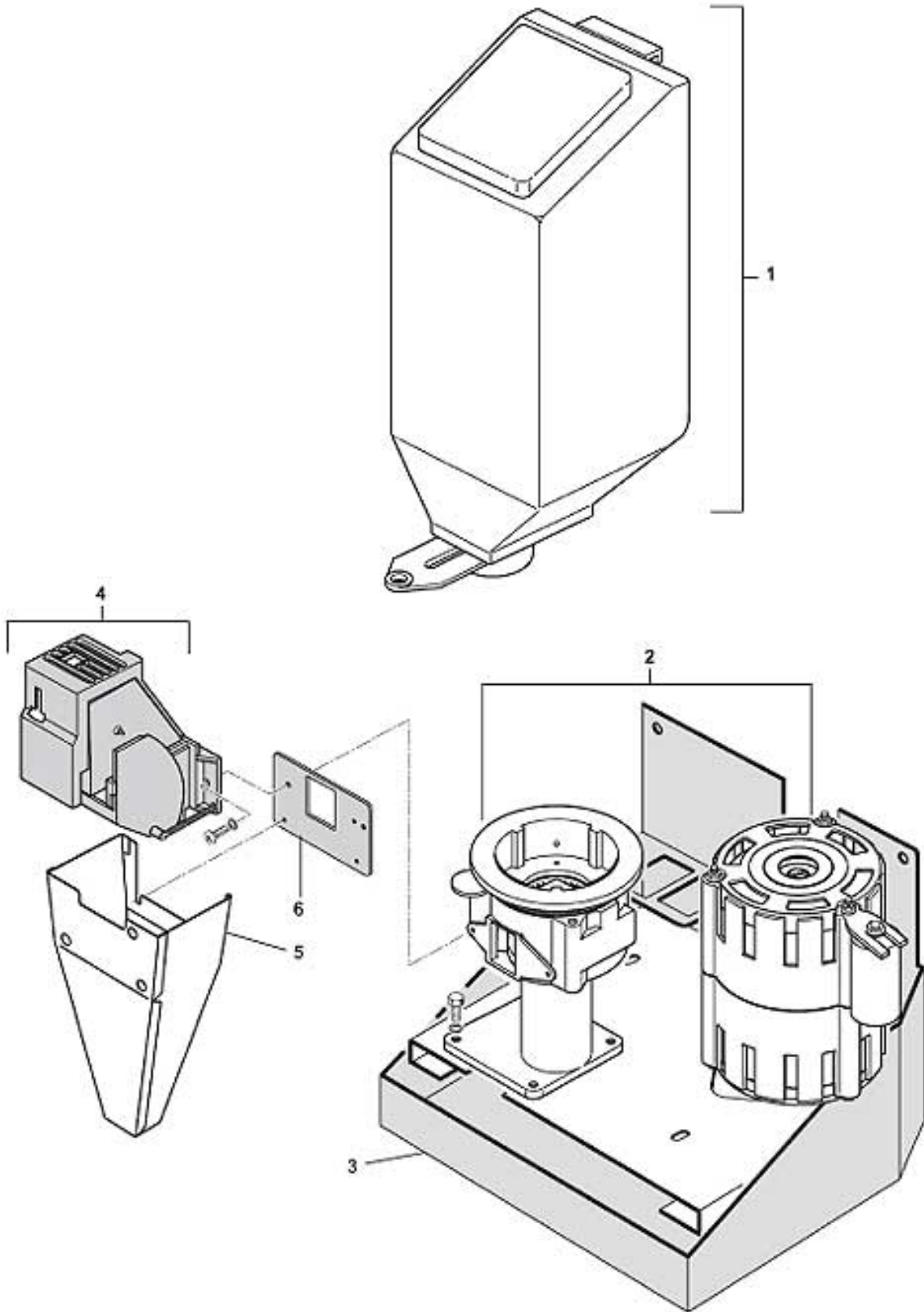


SAGOMA - DISTRIBUTION PIPES MOVEMENT

Pos.	Code	Description	
1	0090002110R	24 V DC 24 RPM GEAR MOTOR + BRAKE WITH FILTER FOR OLD ELECTRONIC VERSION	
1/a	0090002109	24V D.C. GEAR MOTOR 24 R.P.M. FOR OLD ELECTRONIC VERSION	
1/b	SCH0003220	BRAKE FOR DC MOTOR W/FILTER FOR OLD ELECTRONIC VERSION	
1	0090002114R	24V D.C. GEAR MOTOR 24 R.P.M. FOR NEW ELECTRONIC VERSION	
1/a	0090002114	GEAR MOTOR MOD.930 11RPM 24V DC FOR NEW ELECTRONIC VERSION	
1/b	SCH0004980	DC MOTORS FILTER FOR NEW ELECTRONIC VERSION	
2	VIT0004701	M3 FR NUT FOR NEW ELECTRONIC VERSION	
3	ELE0001528	MICRO 83.161.832 FOR NEW ELECTRONIC VERSION	
4	ELE0001906	161 E R 24.1 MICRO LEVER FOR NEW ELECTRONIC VERSION	
5	7500902054	SUPPLEMENTARY INSULATION FOR NEW ELECTRONIC VERSION	
6	VIT0000006	M 3x16 TCB SCREW FOR NEW ELECTRONIC VERSION	
7	0380010436	GEAR MOTOR SUPPORT FOR NEW ELECTRONIC VERSION	
8	VIT0000015	M 4x25 TCB SCREW FOR NEW ELECTRONIC VERSION	
9	VIT0003003	WASHER D.8 x 4.3 x 0.8 FOR NEW ELECTRONIC VERSION	
10	0380010508	GEAR MOTOR CAM mm 36 FOR NEW ELECTRONIC VERSION	
11	0380010421	GEAR MOTOR SHAFT FOR NEW ELECTRONIC VERSION	
12	0380010492	FASCIA PIPES MOVEMENT ESTRAIBILE FOR NEW ELECTRONIC VERSION	
13	VIT0002009	TAPPING SCREW T.C.B. 3.5 x 6.5 FOR NEW ELECTRONIC VERSION	
14	VIT0002401	TAPPING SCREW TCB 3.5 x 9.5 FOR NEW ELECTRONIC VERSION	
15		FOR NEW ELECTRONIC VERSION	
16	VIT0004503	NUT M 4 FOR NEW ELECTRONIC VERSION	
17		FOR NEW ELECTRONIC VERSION	
18	0380010411	PIPES SUPPORT GUIDE SHAFT FOR NEW ELECTRONIC VERSION	
19	0380010534	PIPES SUPPORT GUIDE BUSH FOR NEW ELECTRONIC VERSION	
20	ELE0001522	1-WAY 16 A 250 V MICROSWITCH FOR NEW ELECTRONIC VERSION	
21	4600010014	MICRO SPACER FOR NEW ELECTRONIC VERSION	
22	NL201106265	MICRO LEVER FOR NEW ELECTRONIC VERSION	
23	0070003022	FLOATER ASSEMBLY FOR NEW ELECTRONIC VERSION	
24	0380010542	PRODUCT PIPES SUPPORT FOR NEW ELECTRONIC VERSION	
25	0380010423	SUGAR CHUTE FOR NEW ELECTRONIC VERSION	
26	0380010433	WALL OPENING CONNECTION FOR NEW ELECTRONIC VERSION	
27	0380010424	MOBILE WALL FOR NEW ELECTRONIC VERSION	
28	0380010657NA	DISPENSER FOR NEW ELECTRONIC VERSION	
29/a	0380010491	PRODUCT PIPES SUPPORT / 3 FOR NEW ELECTRONIC VERSION	
29/b	0380010655	PRODUCT PIPES SUPPORT FOR NEW ELECTRONIC VERSION	**
30	0380010431	MOBILE WALL SPRING FOR NEW ELECTRONIC VERSION	
31	0380010599	KEY PIPES MOVEMENT FOR NEW ELECTRONIC VERSION	
32	0380010429CL	SECURING PIN ASSEMBLY FOR NEW ELECTRONIC VERSION	
33	0380010459	PIPES SUPPORT PLATE FOR NEW ELECTRONIC VERSION	
34	0380010629	KEY PIPES MOVEMENT FOR NEW ELECTRONIC VERSION	
35	0380010531	PIPES SUPPORT GUIDE FOR NEW ELECTRONIC VERSION	
36	0380010632NA	PIPES MOVEMENT PROTECTION FOR NEW ELECTRONIC VERSION	
37	0380010623	PIPES SUPPORT GUIDE FOR NEW ELECTRONIC VERSION	
38	0380010632NA	PIPES MOVEMENT PROTECTION FOR NEW ELECTRONIC VERSION	
100	0380010436CL	PIPE MOVEMENT SAGOMA E FOR NEW ELECTRONIC VERSION	assieme
101	0380010438CL	PIPE MOVEMENT SAGOMA FOR OLD ELECTRONIC VERSION	assieme

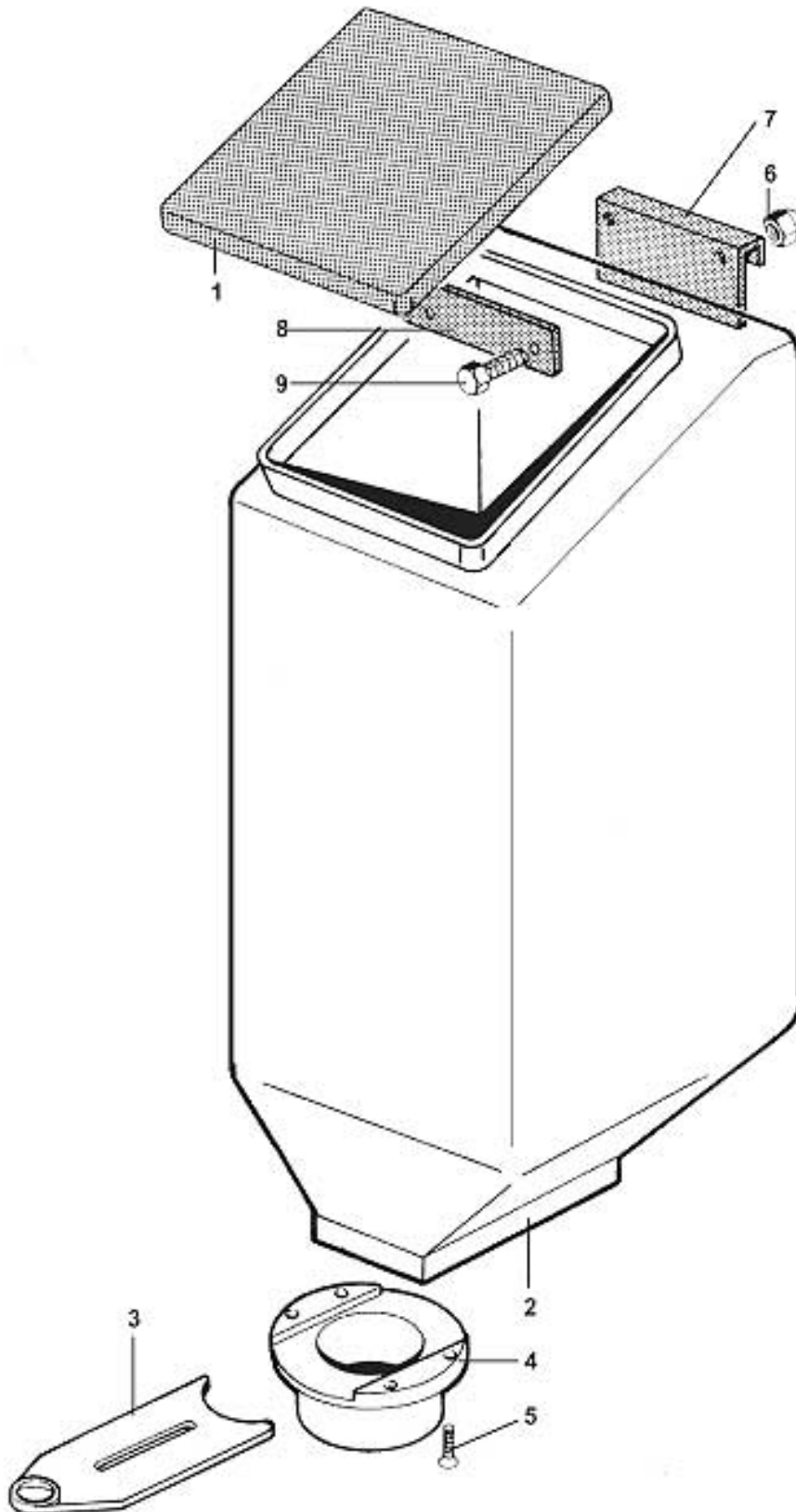


Pos.	Code	Description	
1	70003002	COINTAINER COVER	
2/a	70003001B	POLYETHYLENE CONTAINER WITHOUT HOLES	
2/b	70003001A	POLYETHYLENE CONTAINER WITH HOLES	
2/c	0230008003	POLYETHYLENE CONTAINER WITH H.650 HOLES	
3	4002050109AD	PRODUCT CHUTE PLUG	
4/a	70003003	UPPER HOOKING PLATE	
4/b	0230012018	UPPER PLATE	
5	0230012012	DRIVING RING GEAR SQUARE SEAT	
6	VIT0004803	STAINLESS STEEL NUT M4	
7	VIT0003202	STAINLESS STEEL FLAT WASHER D.4,3 x 9 x 0,8	
8	70003006	REAR SUPPORTING BUSH	
9	GUA0000015	119 OR	
10	0230012006	WORM SCREW WITH FLANGE	
11	VIT0005301	ELASTIC PIN D.2 x 14	
12/a	70003016	P.18 WORM SCREW SPRING	
12/b	0230024009	WORM SCREW SPRING P.9	
13	70003010	BUSH TIE-BOLT	
14/a	70003008	FRONT BUSH	
14/b	70003007	FRONT BUSH	
15	70003028	STOP PIN	
16	70003027	MIXER MALE BUSH	
17	70003012	PLASTIC MIXER GEAR	
18	70003026	MIXER FEMALE BUSH	
19	70003029	STOP DISK	
20	VIT0007102	BENZING-QUICKLOCK	
21	11837	MIXER	
22	VIT0001205	M 4x12 TSP SCREW	
23	VIT0004810	M 4 SELFLOCKING NUT	
24/a	4001003072/20	STRAIGHT PRODUCT CHUTE mm 125	
24/b	4001003072/22	L.H. PRODUCT CHUTE mm 155	
24/c	4001003072/21	R.H. PRODUCT CHUTE mm 155	
25	0230016024	SUGAR FEEDER	
26	TSIL14/20T	D.10x14 NATURAL TRANSPARENT SILICONE PIPE	
100	0230015100CL	GROUND COFFEE DOUBLE FILTER PR	assieme
101	0230016005CL	(**)WORM SCREW P.18 PRODUCT CONTAINER ASSEMBLY	assieme
102	0230016006CL	WORM SCREW P.9 PRODUCT CONTAIN	assieme
103	0230017007CL	PRODUCT CONTAINER PLATIC WHEEL P.9 ASS.	assieme
104	0230017008CL	PRODUCT CONTAINER PLATIC WHEEL P.18 ASSEM.	assieme
105	0230016006CL	WORM SCREW P.9 PRODUCT CONTAIN	assieme
106	0230018009CL	ROBO MIXER PRODUCT CONTAINER P.18 ASSEM.	assieme
107	0230019005CL	TEA PRODUCT CONTAINER PLATIC WHEEL P.9 ASSEM.	assieme
108	0230019006CL	TEA PRODUCT CONTAINER PLATIC WHEEL P.18 ASSEM.	assieme



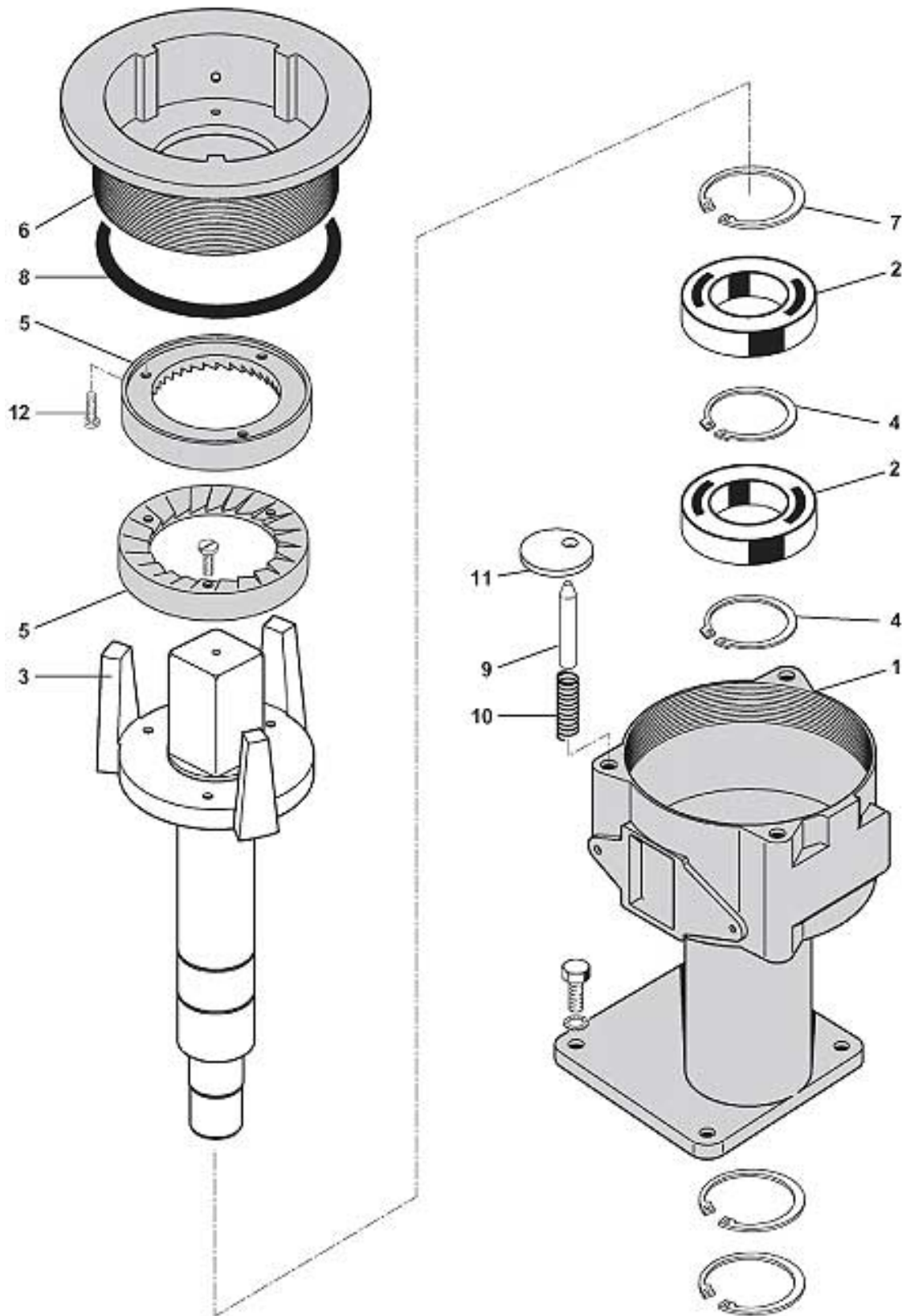
SAGOMA - CONTAINER BATCHER GRINDER GROUP

Pos.	Code	Description	
1		See table COFFEE BEANS CONTAINER	
2		See table GRUPPO MACININO VERTICALE SENZA PULEGGIA	
3	0320004073	GROUP HOUSING	
4	0350003110CL	24 V DC COFFEE PLASTIC BATCHER W/SETTING	assieme
5	0320004087	COFFEE POWDERS CHUTE	
6	0320004083	PLATE	



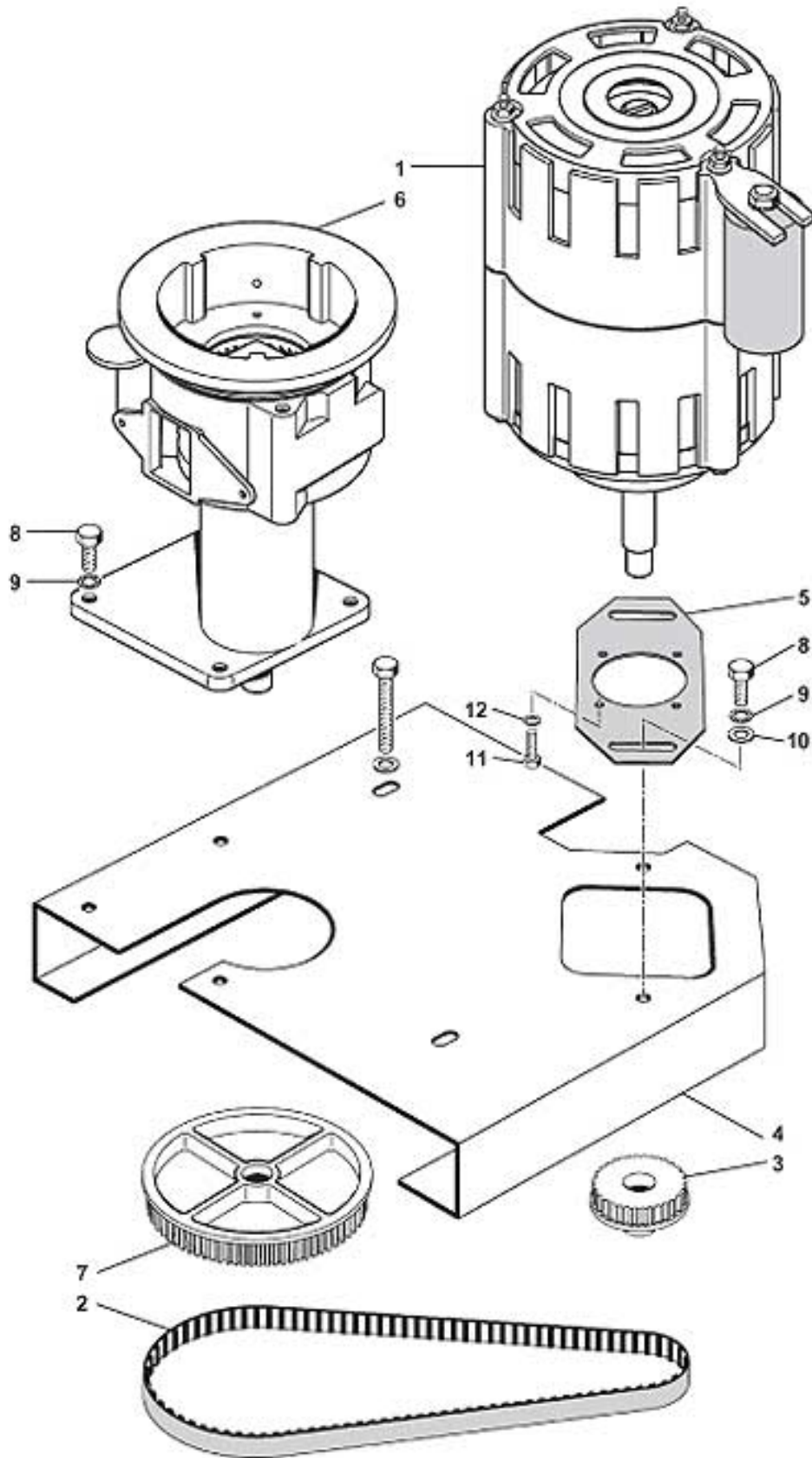
SAGOMA - COFFEE BEANS CONTAINER

Pos.	Code	Description	
1	0230015053	COFFEE CONTAINER COVER	
2	0230015082	COFFEE CONTAINER	
3	4001002077	COFFEE CONTAINER BLADE	
4/a	0230015066	COFFEE CONTAINER BOTTOM	
4/b	4600002076	COFFEE CONTAINER BOTTOM	
5	VIT0002101	3.9x 13 TAPPING TCB SCREW	
6	VIT0004815	M 4 SELFLOCKING NUT	
7	0230015081	HOOKING SQUARE	
8	0230015037	STIFFENING	
9	VIT0000234	M 4x12 STAINLESS STEEL H.H. SCREW	
100	0230015080R	COFFEE BEANS CONTAINER GROUP	assieme



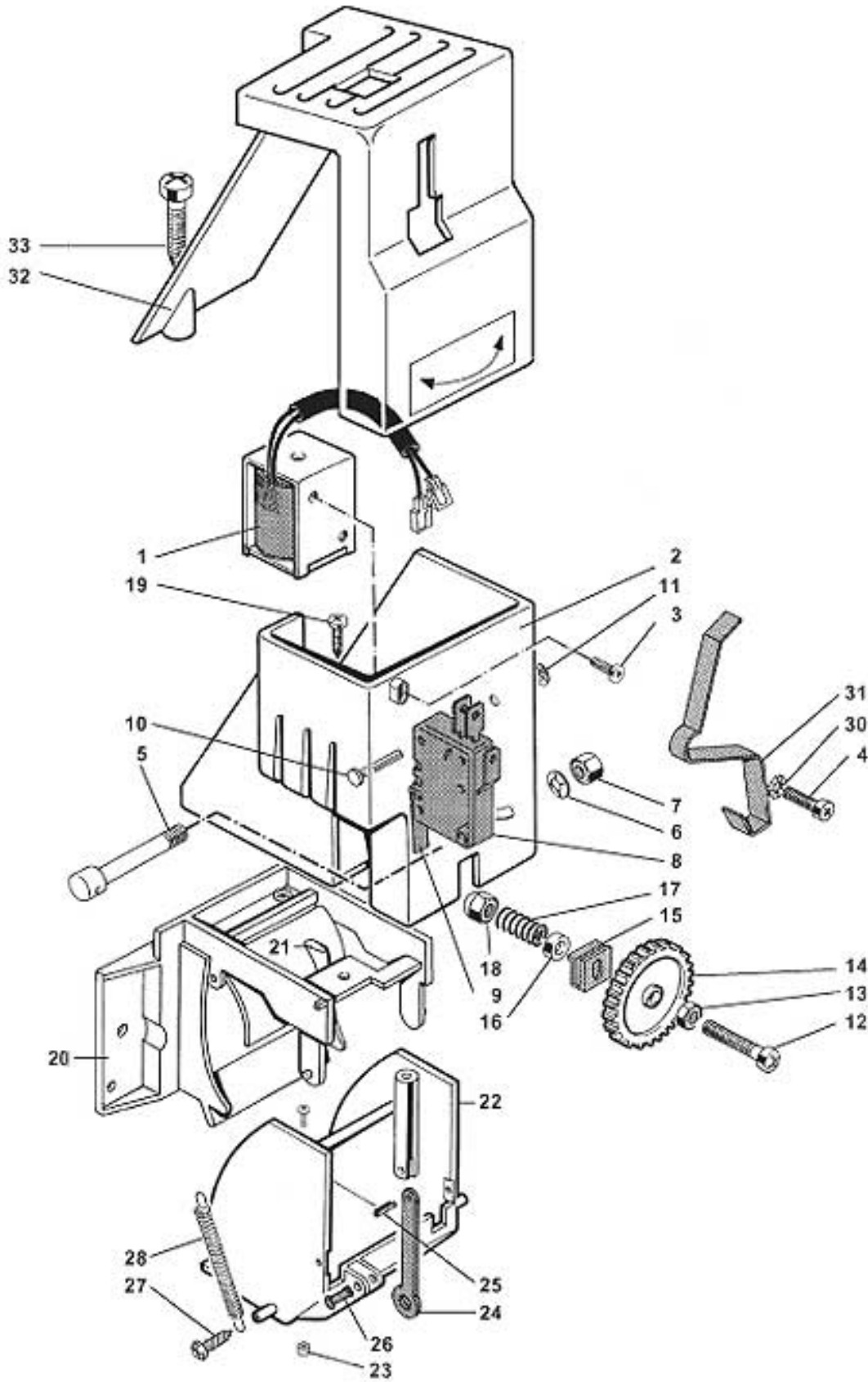
SAGOMA - GRUPPO MACININO VERTICALE SENZA PULEGGIA

Pos.	Code	Description
1	0320004006	GRINDER BODY
2	VIT0009301	ZKL BEARING
3	0320004015	LOWR GRINDER SUPPORT
4	VIT0006651	D.17 RADIAL STOP RING FOR SHAFT
5	0090003015	GRINDER COUPLE 1695
6	0320002004	UPPER GRINDER SUPPORT
7	VIT0006602	D.35 RADIAL STOP RING FOR HOLE
8	GUA0000090	OR 3268
9	0320002011	COMPENSATING PIN
10	270001023	DOOR SWITCH SPRING
11	0320002010	PLATE
12	VIT0000024	M 4x8 TCB SCREW
100	0320004020CL	GRINDER GROUP



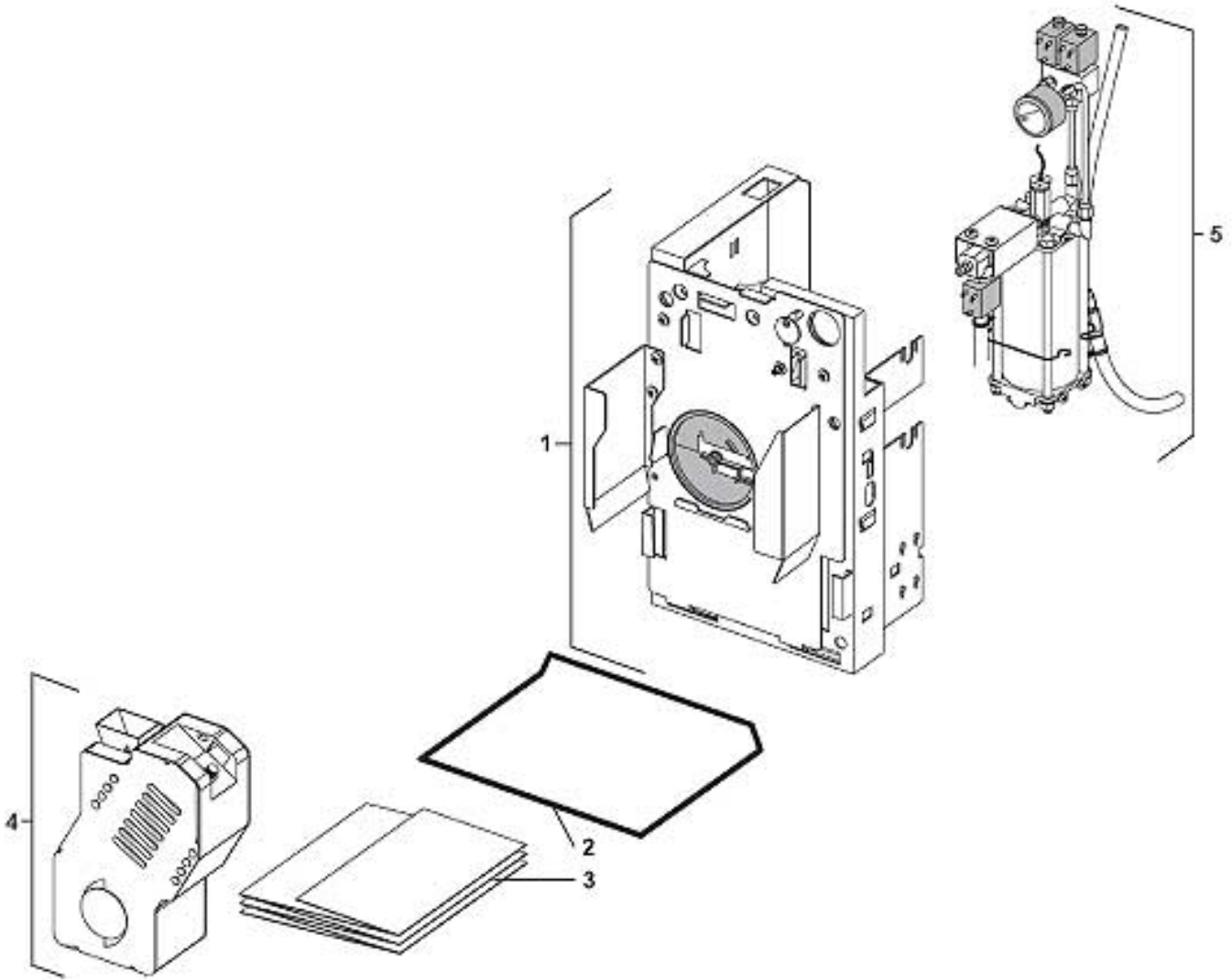
SAGOMA - GRUPPO MACININO VERTICALE SENZA PULEGGIA

Pos.	Code	Description
1	0090003016	MOTOR + CONDENSER
2	0090006003	BELT
3	0320004055	ENGINE PULLEY
4	0320004075	MILL MOTOR SUPPORT
5	0320004076	SETTING PLATE
6	0320004020CL	GRINDER GROUP
7	0320004022	GRINDER PULLEY
8	VIT0000213	M 6*12 H.H. SCREW
9	VIT0003105	WASHER tab D. 6.4
10	VIT0003005	6.4x12.5x1.6 FLAT WASHER
11	VIT0000205	SCREW TE M4x10
12	VIT0003103	WASHER tab D. 4.3
100	0320004070CL	COFFEE BEANS CONTAINER GROUP ASSEMBLY + MOTOR



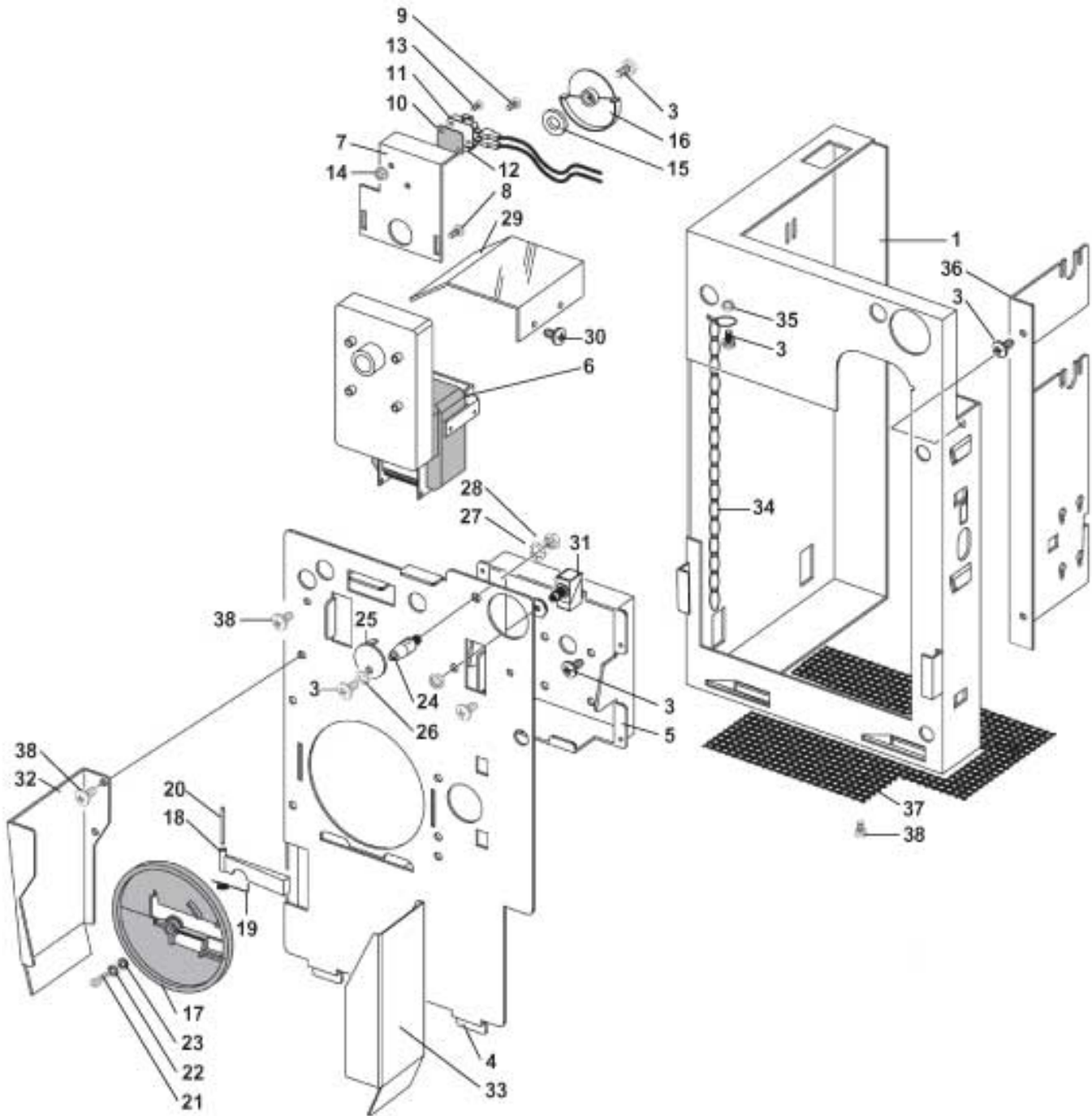
SAGOMA - PL BATCHER WITH 24 V AC SETTING

Pos.	Code	Description	
1	ELE0000056	24V DC ELECTROMAGNET W/CABLES	
2	0350003136	ELECTROMAGNET SUPPORT	
3	VIT0000028	M 3x14 TCB SCREW	
4	VIT0000005	M 3x12 TCB SCREW	
5	0350003114	SETTING PIN	
6	VIT0009161	D.3.2 x 8 x 0.4 SPRING	
7	VIT0004814	M.3 SELFLOCKING NUT	
8	ELE0001522	1-WAY 16 A 250 V MICROSWITCH	
9	0350003121	MICRO LEVER	
10	0350003112	ROTATION PIN	
11	VIT0007101	D.3 BENZING-QUICKLOCK	
12	VIT0000009	M 3x30 TCB SCREW	
13	VIT0004502	M3 NUT	
14	0350003113	WEIGHT SETTING WHEEL	
15	0350003122	CONNECTION TO BE TIGHTENED	
16	7500102053	MICRO SPACER	
17	0350003115	SETTING SPRING	
18	VIT0004813	M.3 CAP NUT	
19	VIT0002011	2.9x 9.5 TAPPING TCB SCREW	
20	0350003105	BATCHER BODY	
21	0350003106	BLADE	
22	0350003301	COFFEE FEEDER	
23	0350003302	SHAKER	
24	0350003126	ELECTROMAGNET CONNECTING ROD	
25	VIT0005105	2 x 8 STAINLESS STEEL ELASTIC PIN	
26	0350003111	PIN	
27	VIT0002001	2.9x 6.5 TAPPING TCB SCREW	
28	0350003129	RETURN SPRING	
29			
30	VIT0003102	WASHER tab D. 3.2	
31	0350003124	BATCHER LOCK	
32	0350003128	COVER	
33	VIT0002452	TAPPING SCREW TCB 3.5 x 12	
100	0350003110CL	24 V DC COFFEE PLASTIC BATCHER W/SETTING	assieme



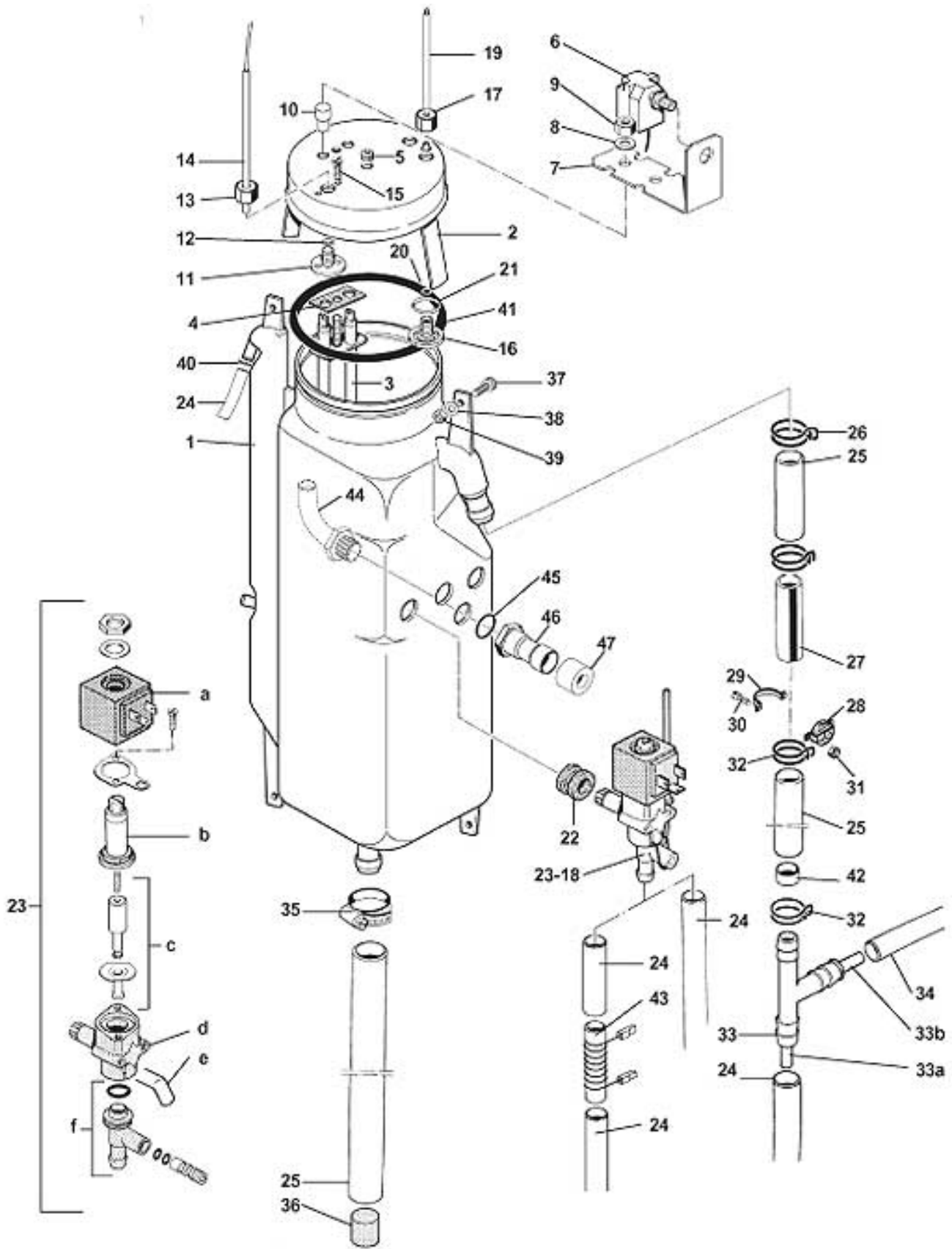
SAGOMA - BOILER - MICRO COFFEE GROUP HOUSING

Pos.	Code	Description
1		See table MICRO COFFEE GROUP HOUSING
2	0260005157	SAGOMA GROUND BAG SUPPORT
3	IMB0000054	POLY. GREY BAG mm 400x1000x5/100
4		See table MICRO COFFEE GROUP
5		See table MM 150 MICRO GROUP BOILER
6		See table MM 195 MICRO GROUP BOILER

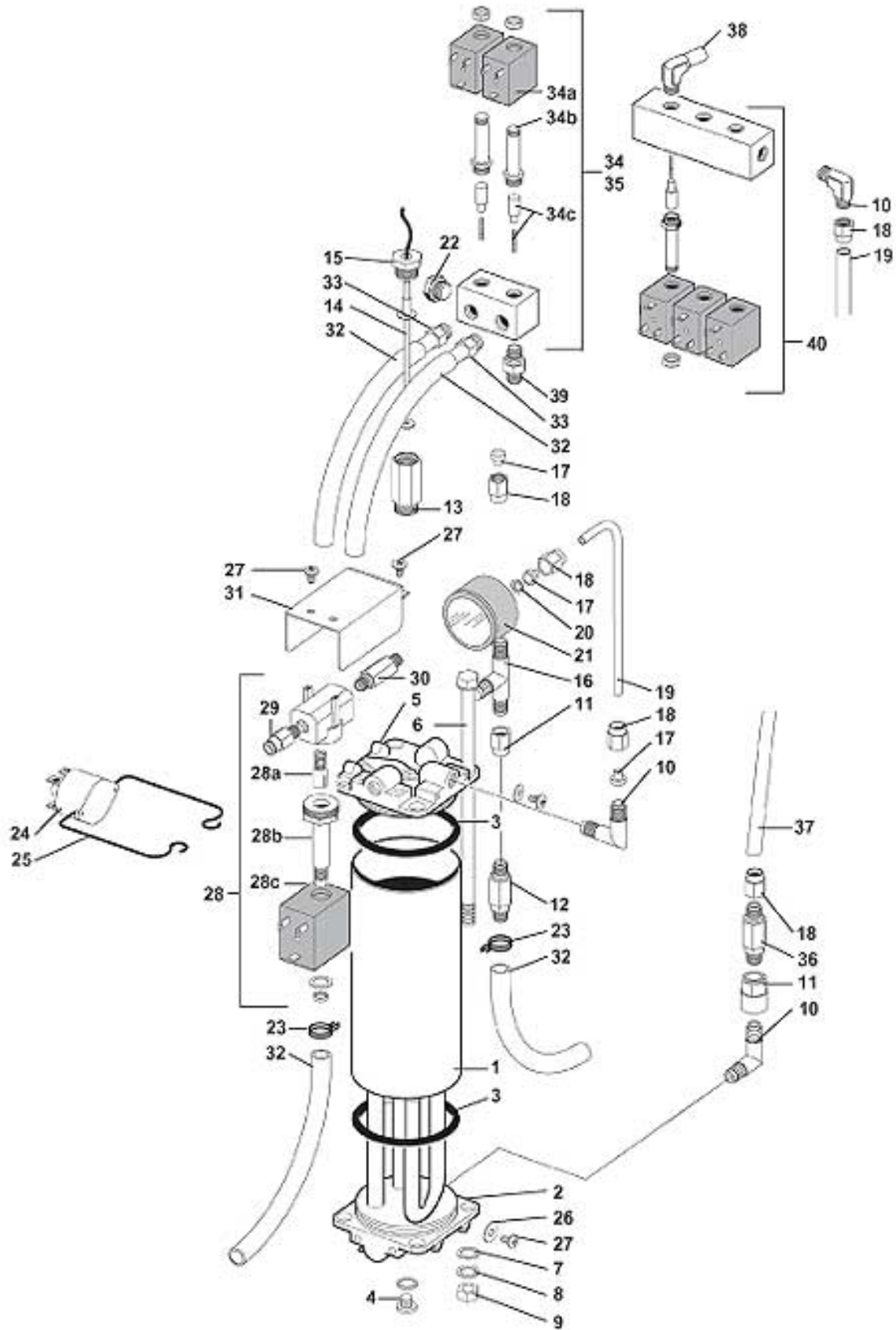


SAGOMA - MICRO COFFEE GROUP HOUSING

Pos.	Code	Description
1	0260010215	HOUSING STRUCTURE
2	0260005156	MILL SECURING CLIP
3	VIT0000030	SCREW TCB M4 x 7
4	0260010217	G.M.S. SUPPORT FRONT
5	0260010102	MICRO GROUP MOTOR SUPPORT
6	0090002186	MICRO GROUP MOTOR
7	0250008093	MICRO PLATE
8	0250008092	M4 SPECIAL SCREW
9	VIT0005521	4x25 TCEI SCREW
10	4600010014	MICRO SPACER
11	ELE0001510	1 WAY 0.1 A 250 V MICROSWITCH
12	ELE0001904	MICRO LEVER
13	VIT0000006	M 3x16 TCB SCREW
14	VIT0004701	M3 FR NUT
15	0250008091	MICRO SPACER
16	0250008043	GROUP READER DISK
17	0250008012	MOTOR CRANK
18	0250008034	HOOKING LEVER
19	0250008059	SPRING FOR HOOKING LEVER
20	VIT0005205	4 x 40 CYLINDRICAL PIN
21	VIT0005508	4x12 TCEI SCREW
22	VIT0003103	WASHER tab D. 4.3
23	VIT0003003	WASHER D.8 x 4.3 x 0.8
24	0260010103	MICRO GROUP HOOKING BLOCK
25	0260010104	STOP DISK
26	VIT0003301	WASHER D.12 x 4.3 x 1.5
27	VIT0003105	WASHER tab D. 6.4
28	VIT0004505	NUT M6
29	0260005161	SAGOMA PLASTIC GROUP GEAR MOTOR PROTECTION
30	VIT0002011	2.9x 9.5 TAPPING TCB SCREW
31	ELE0001506	MICROSWITCH 83.131.8-IW3M
32	0260010207	COFFEE POWDERS CHUTE
33	0260010112	GROUNDS FEEDER
34	VIT0010102	D. 1.6 CHAIN
35	VIT0004503	NUT M 4
36	0260010218	G.M.S. BOILER SUPPORT
37	0260010229	G.M.S. HOUSING LOWER PROTECTION
38	VIT0002401	TAPPING SCREW TCB 3.5 x 9.5
100	0260010121R	



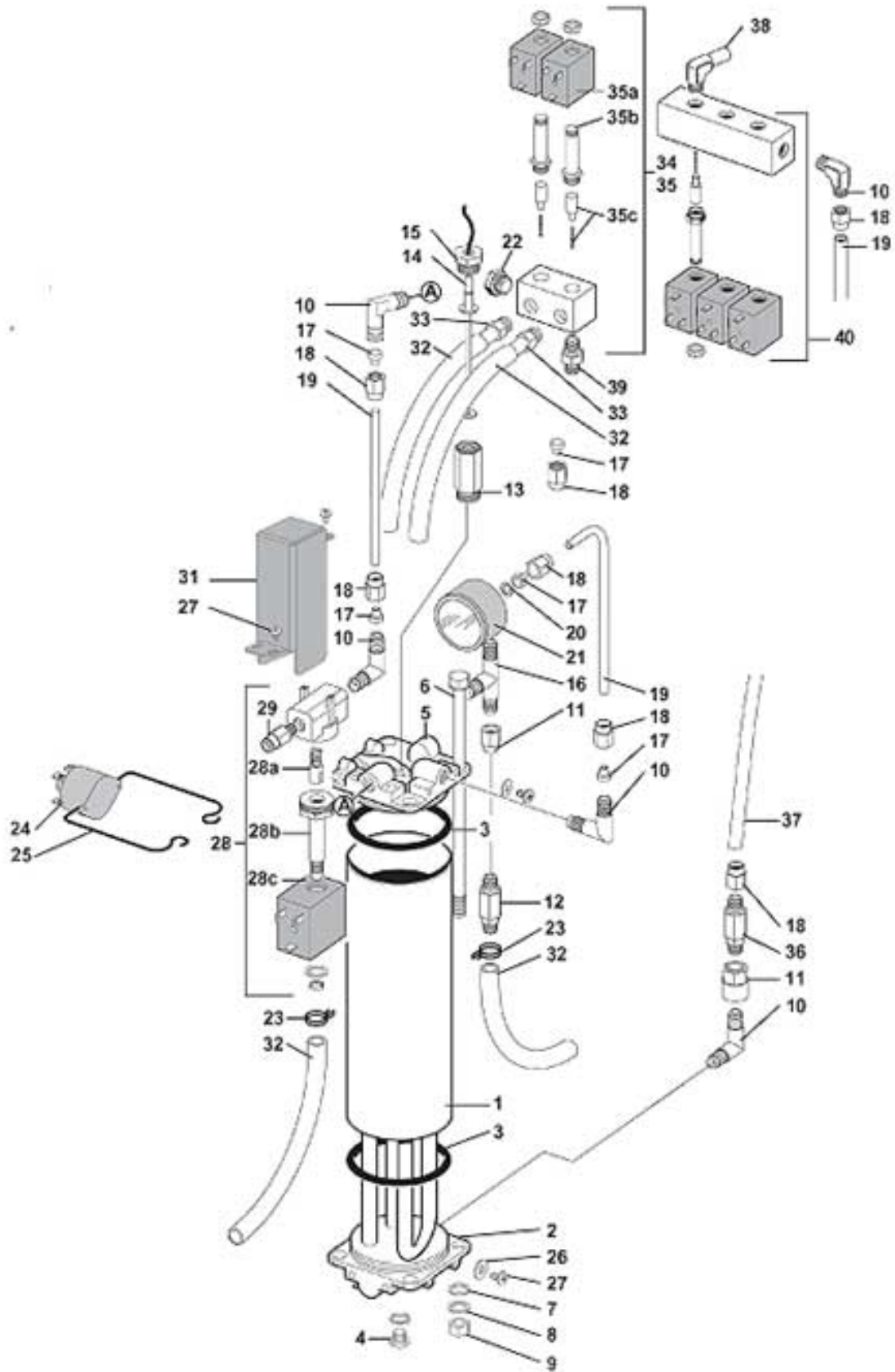
Pos.	Code	Description	
1	0600012619		
2	0600012621	H2O CONTAINER COVER W/SPRING	
3	0600012622	1650W 230 V HEATING ELEMENT	
4	0600012624	HEATING ELEMENT GASKET	
5	GUA0010551	20/65/15 CORE HITCH	
6	ELE0000907	SAFETY SWITCH WITH MANUAL RESET	
7	0600012312	SAFETY SWITCH SUPPORT	
8	VIT0003203	STAINLESS STEEL FLAT WASHER D.5.3 x 10 x 1	
9	VIT0004804	STAINLESS STEEL NUT M5	
10	0600012626	PROBE GUIDE	
11	NL202101016	SOLUBLES PROBE SUPPORT	
12	GUA0000069	2015 OR	
13	0600011107	SOLUBLES PROBE NUT	
14	ELE0000958	SAGOMA SOLUBLES PROBE	
15	VIT0001105	M 3x8 STAINLESS STEEL H.H. SCREW	
16	0600015223	BRASS LEVEL PROBE SUPPORT	*
17	0600015208	LEVEL PROBE SUPPORT NUT	
18	0110001081	24 V DC 2-WAY VALVE -ERA	
19/a	0600015224	mm 130 COATED LEVEL PROBE	*
19/b	0600015225	mm 112 COATED LEVEL PROBE	*
20	GUA0000069	2015 OR	
21	GUA0000062	2056 OR	
22	0600012315	VALVE GASKET	
23/a	0110001085	24 V DC 2-WAY VALVE Up to serial 0117999	
23/c	0110010081	VALVE TERMINAL BOARD Up to serial 0117999	
23/b	0110001095	VALVE SLEEVE From serial 0118001	
23/d	0110010127	CORE W/SPRING FOR VALVE 70% From serial 0118001	
24	TSIL07/11T	TRANSPARENT SILICONE PIPE D.7 x 11	
25	TSIL14/20T	D.10x14 NATURAL TRANSPARENT SILICONE PIPE	
26	FASC000106	D.20 PIPES CLIP	
27	0600012316	THERMOSTAT-HOLDER PIPE	
28	ELE0000908	SAFETY SWICTH 65°C WITH MANUAL RESET	
29	ELE0000914	SAFETY SWITCH CONNECTION	
30	VIT0000004	M 3x10 TCB SCREW	
31	VIT0004502	M3 NUT	
32	FASC000104	D-16 PIPES CLIP	
33	0100003007	TEE UNION	
33/a	0600012324	WATER DISCHARGE PIPE REDUCTION	
33/b	0600012325	WATER INLET PIPE REDUCTION	
34	TSIL04/06T	D.4x6 NATURAL TRANSPARENT SILICONE PIPE	
35	FASC000006	HOSE SCREW CLAMP	
36	NL201106295	BOILER DISCHARGE PLUG	
37	NL202100059	BOILER SUPPORTING PIN	
38	VIT0003302	5.5x12x1.5 FLAT WASHER	
39	VIT0004504	M 4 NUT	
40	FASC000102	D.12 PIPES CLIP	
41	GUA0000063	SILICONE 4412 OR	
42	TSIL10/14T	TRANSPARENT SILICONE PIPE D.10 x 14	
43	0810004027	PIPE WITH HEATING ELEMENT FOR INSTANT COFFEE	
44	0600012627CL	STRAIGHT CONNECTION	
45	GUA0000016	121 OR	
46	0600012628	STRAIGHT CONNECTION ESTERNO SOLENOID VALVE	
47	GUA0002006	GASKET 4979	
100	0600012720CL	SAGOMA H ASS.4EV ERA BOILER	assieme
101	0600012721CL	SAGOMA H ASS 4EV ODE BOILER	assieme
102	0600012725CL	SAGOMA H ASS 3EV ERA BOILER	assieme
103	0600012726CL	SAGOMA H ASS 3EV ODE BOILER	assieme



SAGOMA - MM 150 MICRO GROUP BOILER

Pos.	Code	Description
1	0600012514	JACKET MM 150
2	0600012512	FLANGE WITH 1100W 230 V HEATING ELEMENT
3	GUA0000047	164 VITON OR
4	0100001064	174 M PLUG + OR
5	0600012532	FLANGE WITH PIPE
6	0600012515	TIE-BOLT MM 177
7	VIT0003206	D. 8.4x16x1.6 WASHER
8	VIT0003402	D. 8.4 GROWER SPRING WASHER
9	VIT0004506	M 8 NUT
10	0100001019	L FITTING D.6-1/8M CON.
11	0100001007	STRAIGHT CONNECTION 1/8F -1/8 FEMALE
12	0110002003	1/8M INLET - 1/8M OUTLET NON-RETURN VALVE
13	0100003012	SAGOMA PROBE CONNECTION
14	ELE0000970	mm 500 BULB PROBE
15	0600015507	PROBE PLUG
16	0100001030	T UNION D.6-1/8-D.6
17	0100002002	LOCKING RING D.6
18	0100001002	NUT FOR PIPE FITTING D.6
19	TCU0000002	D.4x6 COPPER PIPE
20	0100003002	COPPER GASKET
21	0110006001	D.40 0-20 bar MANOMETER - 1(8' REAR CONN.
22	4600020115	PLUG
23	FASC000102	D.12 PIPES CLIP
24	ELE0009001	120° CLICSON
25	250020087	SAFETY SWITCH SECURING SPRING
26	1600001098	SYNTHETIC RUBBER D.4.5 SPACER
27	VIT0000030	SCREW TCB M4 x 7
28	0110001072	24 DC 1/8 3-WAY VALVE
28/a	0110010020	CORE WITH SPRING FOR 3-WAY VALVE
28/b	0110010035	3-WAY VALVE SLEEVE
28/c	0110010065	8W 24 D.C. COIL
29	0100001070	STRAIGHT CONNECTION 800 - 1/8 VITON
30	0600012658	VALVE BOILER CONNECTION
31	0600012659	VALVE COVER
32	TSIL07/11T	TRANSPARENT SILICONE PIPE D.7 x 11
33	2500001139	VALVE RUBBER-HOLDER CONNECTION
34	0110001065	2 24 DC E.INF. 2-WAY VALVE W/BLOCK
34/a	0110010062	5W 24 DC COIL
34/b	0110010059	SLEEVE FOR 2-WAY VALVE W/BLOC
34/c	0110010060	CORE W/SPRING FOR 2-WAY VALVE W/BLOCK
35	0110001090	2 24 DC E.INF. 2-WAY VALVE W/BLOCK
35/a	0110010108	5 W 24 DC COIL
35/b	0110010109	SLEEVE FOR 2-WAY VALVE W/BLOCK
35/c	0110010110	CORE W/SPRING FOR 2-WAY VALVE WITH BLOCK
36	0110002004	SAFETY VALVE
37	TNAY000001	D.6*4 POLYAMIDE PIPE
38	250020146	ELBOW CONNECTION
39	0100001017	STRAIGHT CONNECTION D.6-1/8M CON.
40	0110001079	3 EV 2 VIE C/BLOCCHETTO 24 DC
100	0600012530	COOFFEE BOILER MM 150 FOR MICRO GROUP

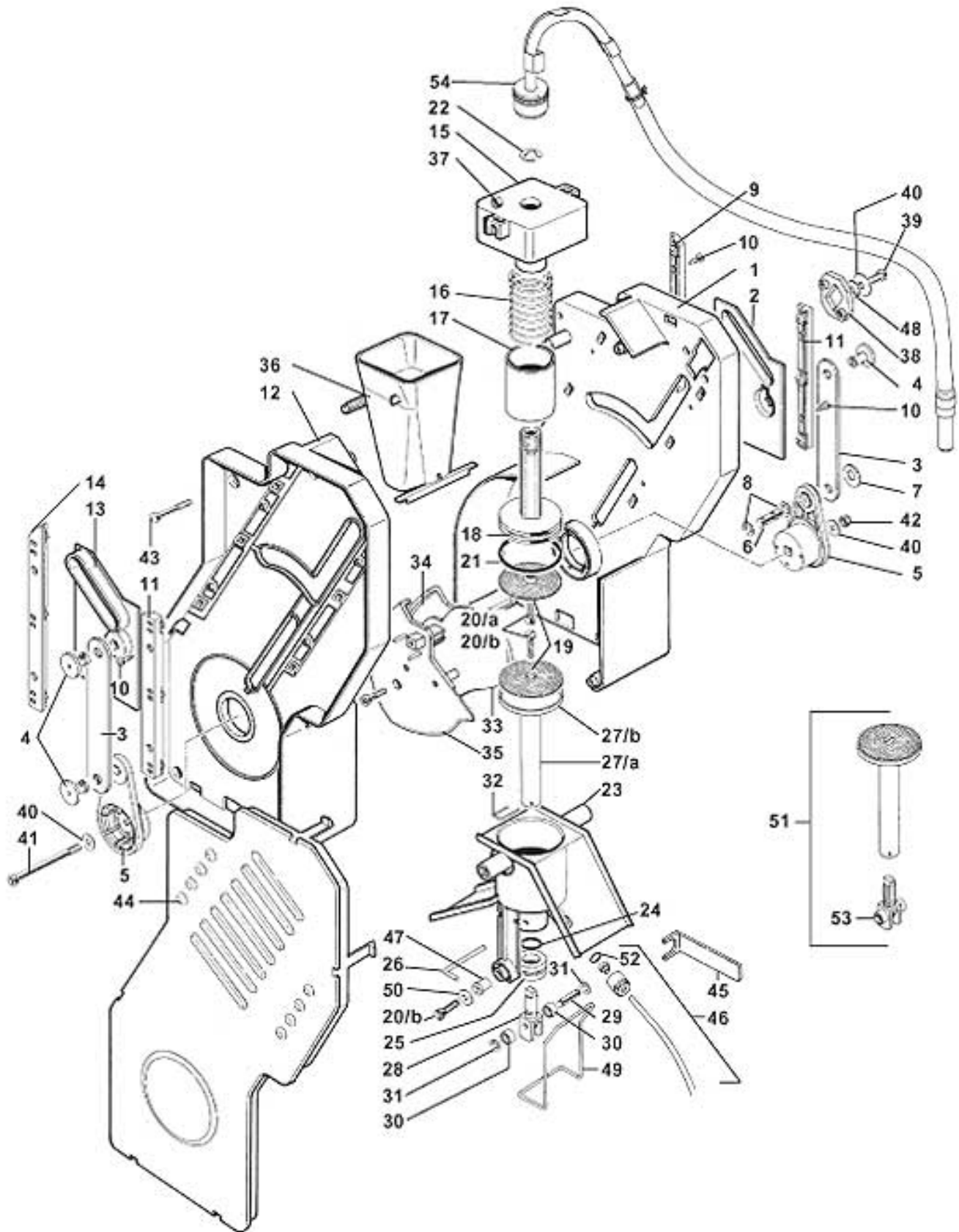
assieme



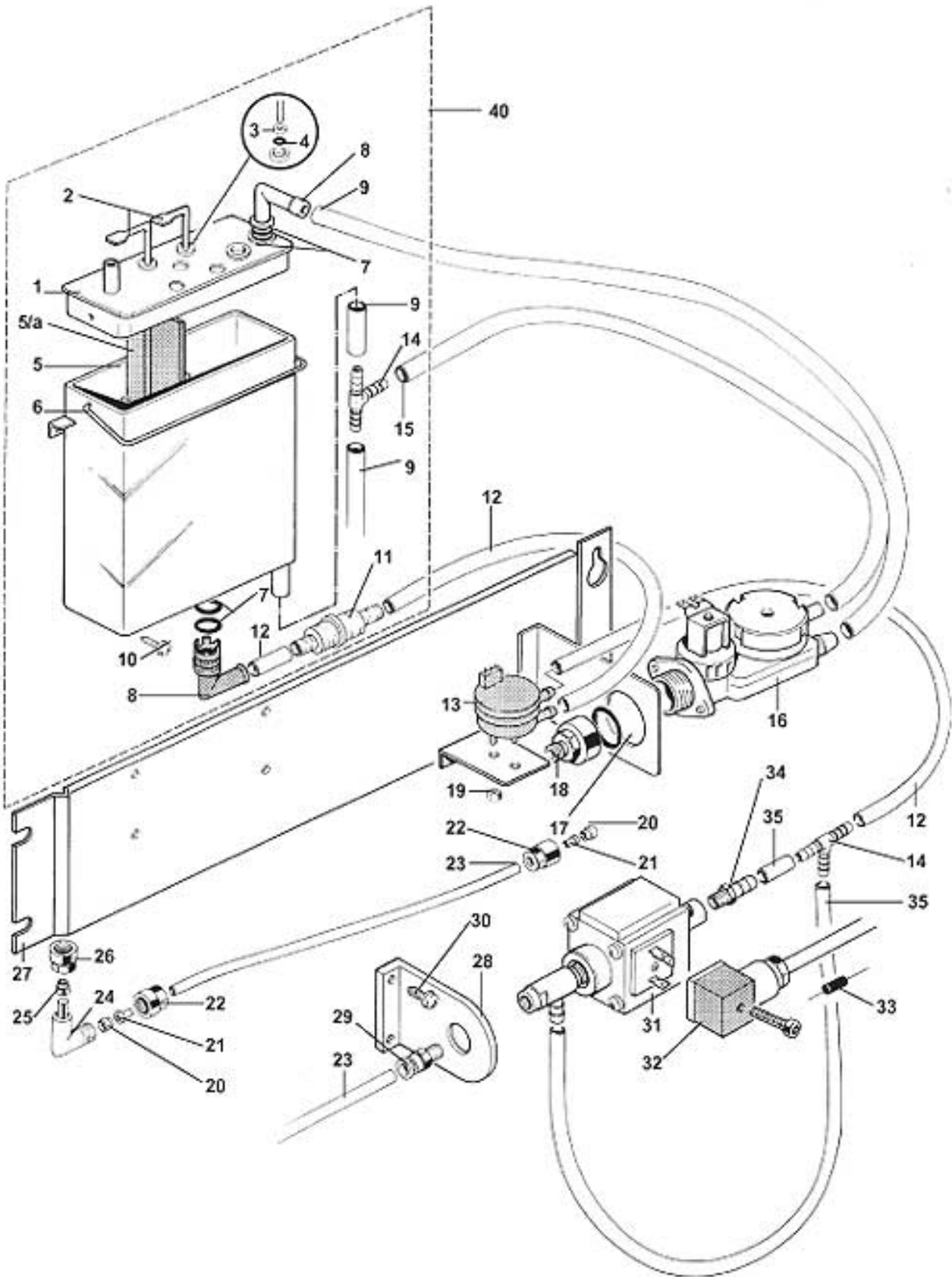
SAGOMA - MM 195 MICRO GROUP BOILER

Pos.	Code	Description
1	250020078	JACKET
2	0600012519	FLANGE WITH 1100W 230 V HEATING ELEMENT
3	GUA0000047	164 VITON OR
4	0100001064	174 M PLUG + OR
5	0600012532	FLANGE WITH PIPE
6	250020079	TIE-BOLT
7	VIT0003206	D. 8.4x16x1.6 WASHER
8	VIT0003402	D. 8.4 GROWER SPRING WASHER
9	VIT0004506	M 8 NUT
10	0100001019	L FITTING D.6-1/8M CON.
11	0100001007	STRAIGHT CONNECTION 1/8F -1/8 FEMALE
12	0110002003	1/8M INLET - 1/8M OUTLET NON-RETURN VALVE
13	0100003012	SAGOMA PROBE CONNECTION
14	ELE0000970	mm 500 BULB PROBE
15	0600015507	PROBE PLUG
16	0100001030	T UNION D.6-1/8-D.6
17	0100002002	LOCKING RING D.6
18	0100001002	NUT FOR PIPE FITTING D.6
19	TCU0000002	D.4x6 COPPER PIPE
20	0100003002	COPPER GASKET
21	0110006001	D.40 0-20 bar MANOMETER - 1(8' REAR CONN.
22	4600020115	PLUG
23	FASC000102	D.12 PIPES CLIP
24	ELE0009001	120° CLICSON
25	250020087	SAFETY SWITCH SECURING SPRING
26	1600001098	SYNTHETIC RUBBER D.4.5 SPACER
27	VIT0000030	SCREW TCB M4 x 7
28	0110001072	24 DC 1/8 3-WAY VALVE
28/a	0110010020	CORE WITH SPRING FOR 3-WAY VALVE
28/b	0110010035	3-WAY VALVE SLEEVE
28/c	0110010065	8W 24 D.C. COIL
29	0100001070	STRAIGHT CONNECTION 800 - 1/8 VITON
30		
31	0600012661	VALVE SECURING COVER
32	TSIL07/11T	TRANSPARENT SILICONE PIPE D.7 x 11
33	2500001139	VALVE RUBBER-HOLDER CONNECTION
34	0110001065	2 24 DC E.INF. 2-WAY VALVE W/BLOCK
34/a	0110010062	5W 24 DC COIL
34/b	0110010059	SLEEVE FOR 2-WAY VALVE W/BLOC
34/c	0110010060	CORE W/SPRING FOR 2-WAY VALVE W/BLOCK
35	0110001090	2 24 DC E.INF. 2-WAY VALVE W/BLOCK
35/a	0110010062	5W 24 DC COIL
35/b	0110010123	2-WAY SLEEVE CH 14
35/c	0110010124	2-WAY MOBILE CORE ASSEMBLY
36	0110002004	SAFETY VALVE
37	TNAY000001	D.6*4 POLYAMIDE PIPE
38	250020146	ELBOW CONNECTION
39	0100001017	STRAIGHT CONNECTION D.6-1/8M CON.
40	0110001079	3 EV 2 VIE C/BLOCCHETTO 24 DC
100	0600012540	COFFEE BOILER MM 195 FOR MICRO

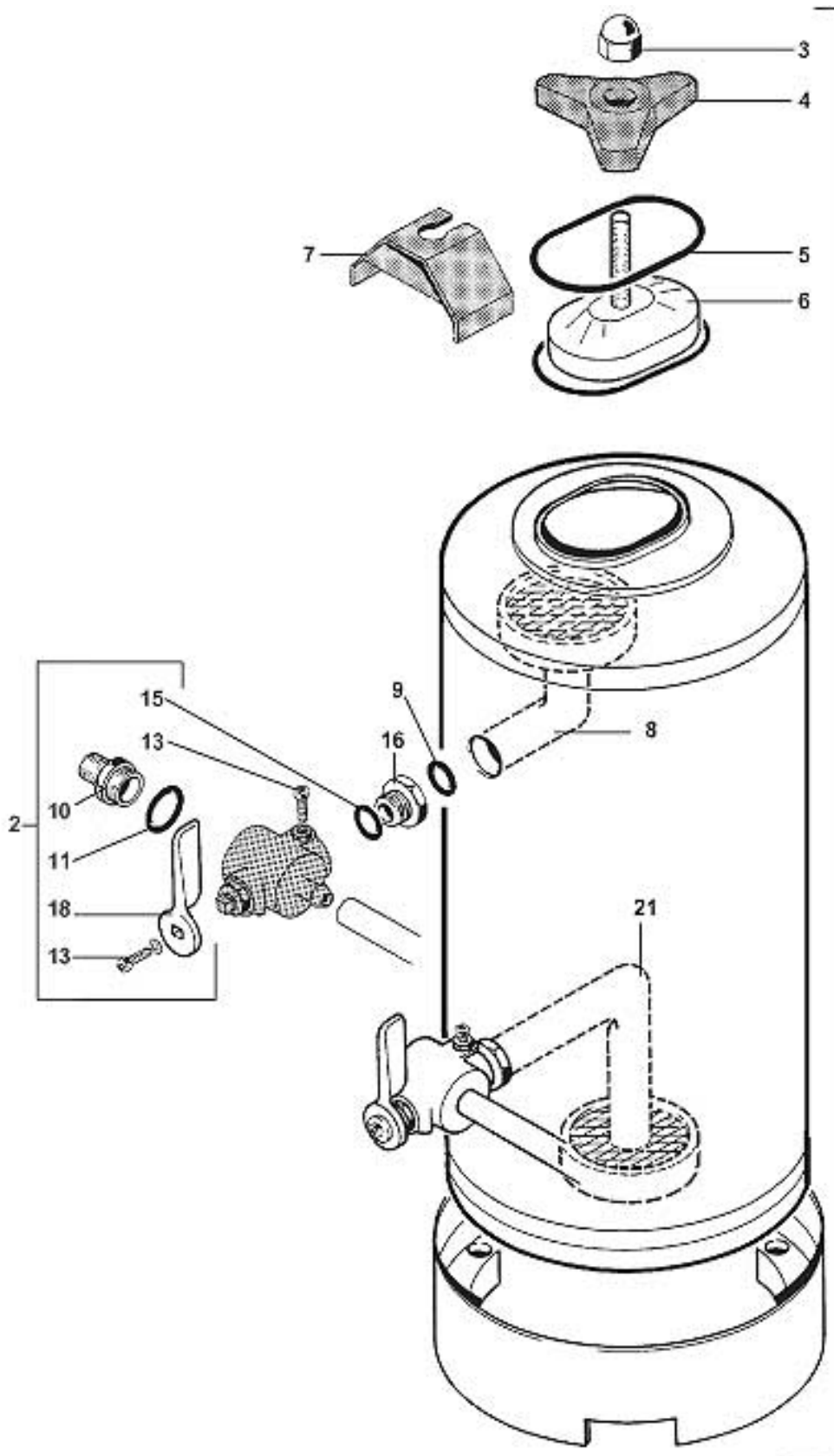
assieme



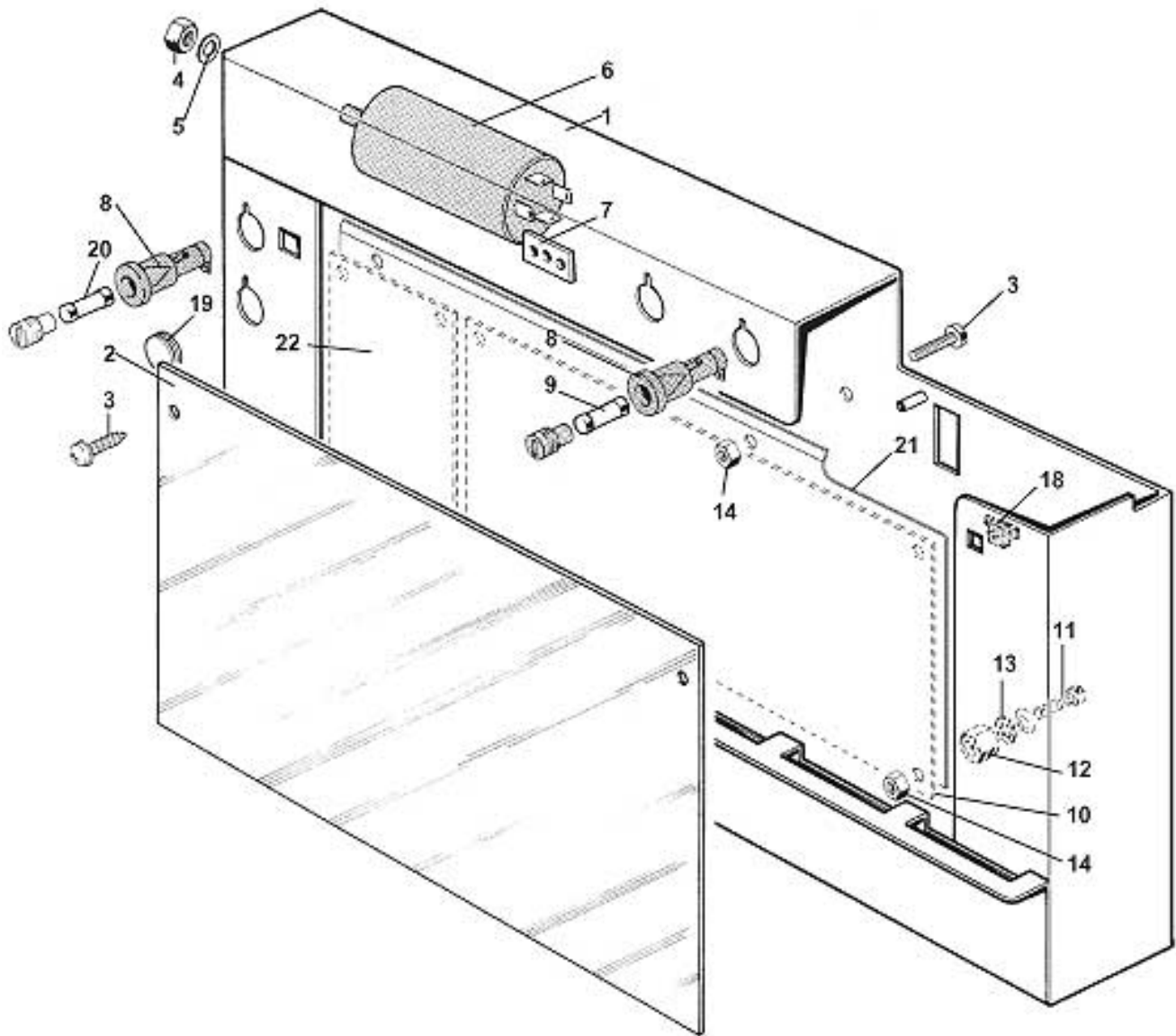
Pos.	Code	Description	
1	0250008005	R.H. FRAME	
2	0250008084	R.H. INFUSION CHAMBER CAM	
3	0250008009	CONNECTING ROD	
4	0250008028	PIN FOR CONNECTING ROD	
5	0250008011	R.H. CRANK	
6	0250008014	MOTOR CRANK PIN	
7	0250008042	ANTIVIBRATION WASHER	
8	VIT0006515	D.5 RADIAL STOP RING	
9	0250008031	R.H. REAR GUIDE	
10	VIT0002026	3.5x 6.5 STAINLESS STEEL TAPPING TCB SCREW	
11	0250008033	FRONT GUIDE	
12	0250008006	L.H. FRAME	
13	0250008085	L.H. INFUSION CHAMBER CAM	
14	0250008032	L.H. REAR GUIDE	
15	0250008086	UPPER FILTER SUPPORT	
16	0250008024	UPPER FILTER SPRING	
17	0250008087	SPRING COVER PIPE	
18	0250008026	D.36 UPPER FILTER	
19	0250008099	FILTER	
20/a	VIT0001202	M 3x14 TSP SCREW	
20/b	VIT0000121	M 3x8 TSP SCREW	
21	GUA0000080	SILICONE 4112 OR	
22	VIT0006513	D.8 STAINLESS STEEL INSIDE SEEGER	
23	0250008046R	INFUSION CHAMBER	
24	GUA0000065	SILICONE OR 112	
25	0250008053	LOWER INLET CUP BUSH	
26	0250008029	GLASS BUSH PIN	
27/a	0250008108	FILTER SUPPORT SHFT	
27/b	0250008081	LOWER FILTER	
28	0250008106	LOWER FILTER ROLL SUPPORT	
29	0250008021	ROLL SHAFT	
30	0250008022	ROLL SHAFT	
31	VIT0006516	D.3.2 RADIAL STOP RING	
32	0250008027	LOWER FILTER PIN	
33	0250008083	FILTER EJECTION CAM	
34	0250008016	R.H. FILTER RECOVERY CAM	
35	0250008017	L.H. FILTER RECOVERY CAM	
36	0250008036	COFFEE CONE	
37	VIT0004803	STAINLESS STEEL NUT M4	
38	0250008035	SETTING PLATE	
39	VIT0000032	M 4x8 INOX TCB SCREW	
40	VIT0003309	4.3x16x1.5 STAINLESS STEEL FLAT WASHER	
41	VIT0005523	4x60 STAINLESS STEEL TCEI SCREW	
42	VIT0004810	M 4 SELFLOCKING NUT	
43	VIT0002461	SCREW TCCRT 4,2 x 26	
44	0250008039	L.H. FRAME COVER	
45	0250008048	KEY FOR NUT	
46	0250008050	WATER INLET PIPE ASSEMBLY	
47	VIT0009203	M 3 CONNECTION FOR THERMOPLASTIC	
48	VIT0003451	GROWER SPRING WASHER	
49	0250008094	SCRAPER	
50	0250008088	WASHER FOR CHAMBER CAM	
51	0250008109R	D.36 LOWER FILTER+ROLL SUPPORT ASSEMBLY	
52	GUA0000061	2010 VITON OR	
53	0250008107R	LOWER FILTER ROLL SUPPORT	
54	0250008060	COFFEE OUTLET PIPE ASSEMBLY	
100	0250008001R	MICRO COFFEE GROUP	assieme
101	0250008026R	D.36 UPPER FILTER ASSEMBLY	assieme
102	0250008108R	D.36 LOWER FILTER	assieme



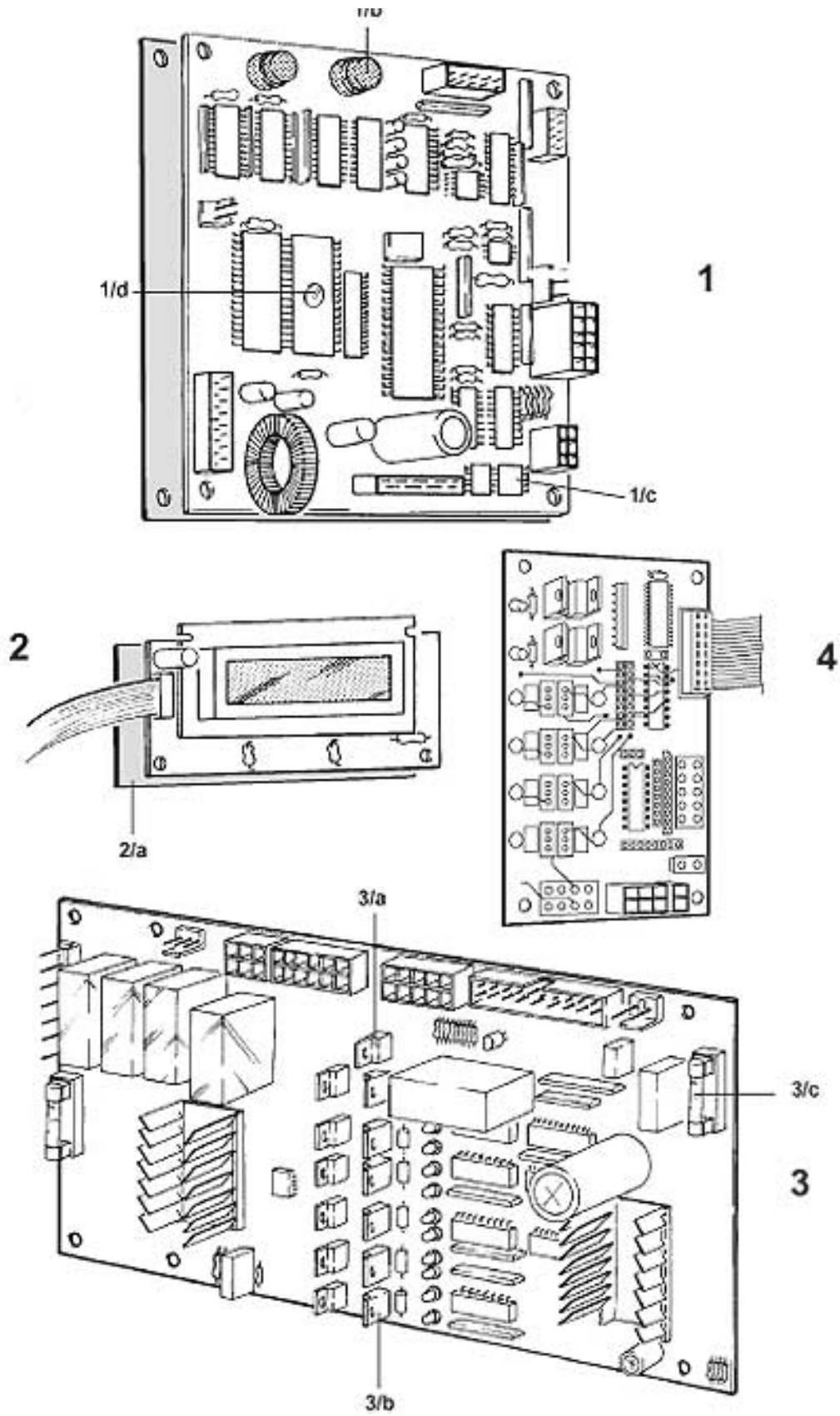
Pos.	Code	Description	
1	0800009221	TANK COVER	
2/a	0600015213	mm 72 PROBE	
2/b	0800008035	mm 135 PROBE	
3	VIT0003002	D.3.2x7x0.5 WASHER	
4	GUA0000038	2010 OR	
5	0800009201	SOLUBLE TANK BODY	
5/a	800000010	TANK INTERNAL WALL	
6	800000035	COVER SECURING RING	
7	GUA0000043	OR 109	
8	0800009211	ELBOW WITH RAPID CONNECTION	
9	TSIL07/11T	TRANSPARENT SILICONE PIPE D.7 x 11	
10	VIT0002002	3.5 x 6.5 TCB SCREW	
11	0109002002	WATER FILTER	
12	TSIL05/09T	D.5x9 NATURAL TRANSPARENT SILICONE PIPE	
13	0110007003	VOLUME COUNTER W/RUBBERHOLDER	
14	0100003003	TEE UNION	
15	TSIL05/08T	TRANSPARENT SILICONE PIPE D.5 x 8	
16	0110001039	24 DC INLET VALVE W/SAFETY DEV.	
17	GUA0000021	OR 130	
18/a	0810010556	1/4'M GAS VALVE CONNECTION	
18/b	0010019223	3/8 GAS M WATER INLET VALVE CONNECTION	
19	VIT0004502	M3 NUT	
20	0100002002	LOCKING RING D.6	
21	0100002005	STRENGTHENING BUSH D.4	
22	0100001003	NUT FOR PIPE FITTING D.6-1/4	
23	TNAY000001	D.6*4 POLYAMIDE PIPE	
24	0100001026	L FITTING D.8-1/4 CAN BE ORIENTED	
25	0100002003	LOCKING RING D.8	
26	0100001005	NUT FOR D.8-3/8 PIPE FITTING	
27	0810010605	WATER COMPONENTS SUPPORT	
28	0220001002	PUMP SUPPORT	
29	0100001066	STRAIGHT RAPID CONNECTION 1/8M - 4*6	
30	VIT0002401	TAPPING SCREW TCB 3.5 x 9.5	
31/a	0110004001	ELECTROMAGNETIC PUMP 7 bar	
31/b	0110004004	'FB' PUMP	
31/c	0110004002	'AP' PUMP	
32	ELE0060094	PUMP CONNECTOR WITH DIODE	
33	ELT0005153	1 N 4007 DIODE	
34	2500001139	VALVE RUBBER-HOLDER CONNECTION	
35	TSIL06/09T	TRANSPARENT SILICONE PIPE D.6 x 9	
100	0800008030CL	SAGOMA RECTANGULAR TANK WITH PROBES	assieme



Pos.	Code	Description	
3	0060002031	SWEETENER NUT WITH SPHERIC COVER	
4	0060002032	SWEETENER COVER WHEEL	
5	GUA0000035	OR FOR SWEETENER COVER	
6	0060002033	SWEETENER COVER	
7	0060002034	SWEETENER BRIDGE	
8	0060002035	SWEETENER UPPER FILTER	
9	GUA0000018	125 OR	
10	0060002036	SWEETENER COCK CONNECTION	
11	GUA0000013	117 OR	
12			
13	VIT0001005	SCREW T.C.B. M 4 x 12	
14			
15	0060002037	SWEETENER R 9 GASKET	
16	0060002038	SWEETENER NUT D. 20*1.5	
17	TSIL06/09T	TRANSPARENT SILICONE PIPE D.6 x 9	
18	0060002039	SWEETENER HANDLE	
19	VIT0003301	WASHER D.12 x 4.3 x 1.5	
20			
21	0060002040	SWEETENER LOWER FILTER	
1	0060002001	SWEETENER ASSEMBLY	assieme
2	0060002030	COCK ASSEMBLY	assieme

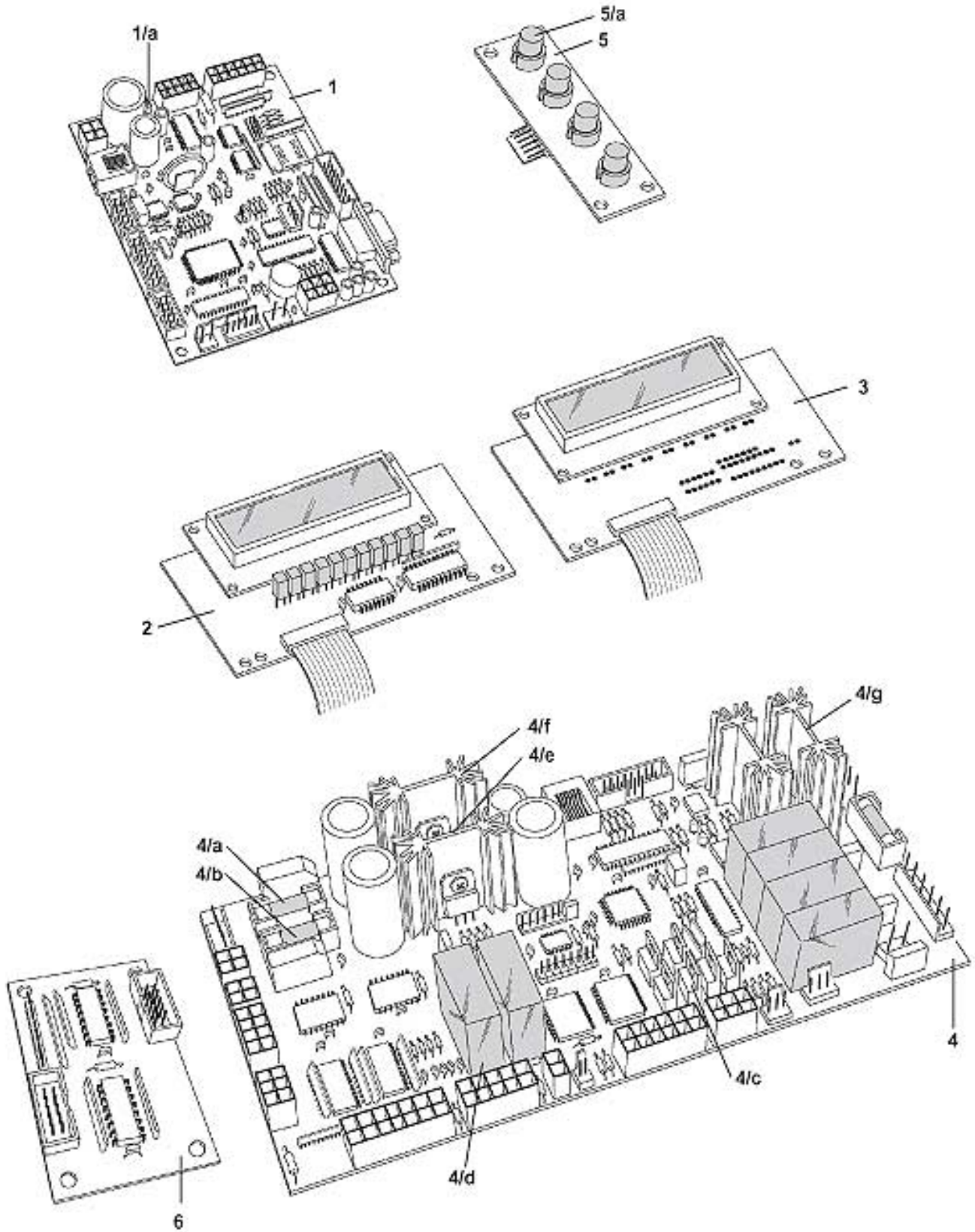


Pos.	Code	Description
1	0130011508	CONTROL PANEL WITH SUPPORT
2	0130011509	CONTROL PANEL COVER W/SUPPORT
3	VIT0000030	SCREW TCB M4 x 7
4	VIT0004506	M 8 NUT
5	VIT0003106	WASHER tab D. 8
6	ELE0009055	ANTIPARASITIC FILTER
7	ELE0002305	10 A 250 V SOCKET
8	ELE0003507	FUSES HOLDER
9	ELE0003024	SLOW-BLOW CERAMIC TYPE 6.3A FUSES 5 x 20
10	See table NEW ELECTRONIC CONTROL AND POWER LOGIC	
11	VIT0000014	M 4x16 TCB SCREW FOR OLD ELECTRONIC VERSION
12	0020018125	BOARD SPACER FOR OLD ELECTRONIC VERSION
13	VIT0003103	WASHER tab D. 4.3 FOR OLD ELECTRONIC VERSION
14	VIT0004503	NUT M 4 FOR OLD ELECTRONIC VERSION
15		FOR OLD ELECTRONIC VERSION
16		FOR OLD ELECTRONIC VERSION
17		FOR OLD ELECTRONIC VERSION
18	VIT0009109	M 4 NUT IN RETAINER FOR OLD ELECTRONIC VERSION
19	GUA0010503	MEMBRANE CORE HITCH Ø 9 FOR OLD ELECTRONIC VERSION
20	ELE0003023	4 A 6.3x32 SLOW-BLOW CERAMIC TYPE FUSE FOR OLD ELECTRONIC VERSION
21	0130011706	POWER BOARD SUPPORT FOR OLD ELECTRONIC VERSION
22	See table NEW ELECTRONIC CONTROL AND POWER LOGIC	



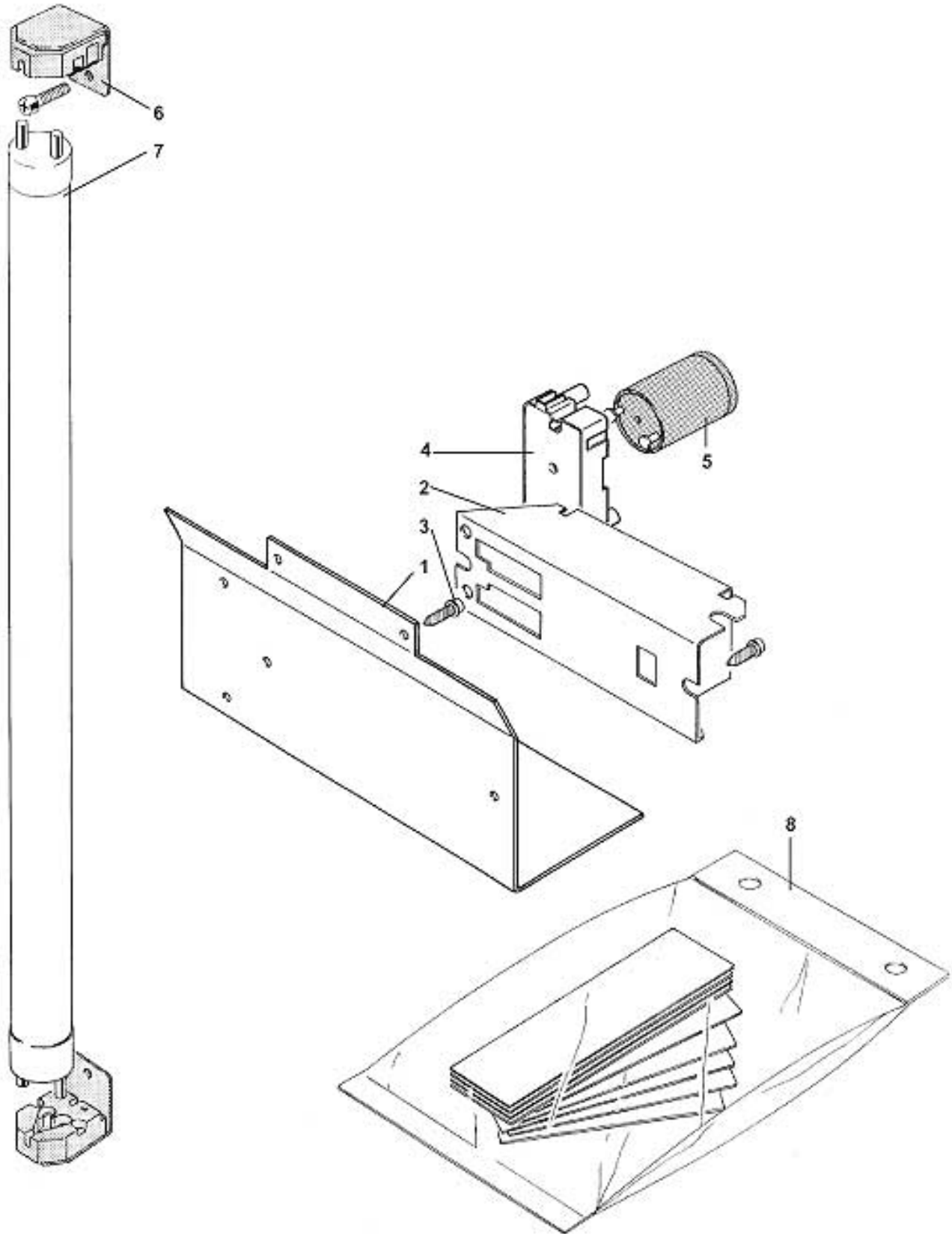
SAGOMA - CONTROL AND POWER LOGIC

Pos.	Code	Description
1	SCH0002860	DC CPU
1/a	ELT0030059	EPROM 27C512
1/b	ELT0030703	D6 SQUARE KEY
1/c	ELT0030064	EAROM 93C56
1/d	0020022679	CPU BOARD PROTECTION
2	SCH0003020	SAGOMA DISPLAY
2/a	0020034047	DISPLAY INSULATION
3	SCH0003840	SAGOMA DC POWER CONTROL
3/a	ELT0004017	TIP 122 TRANSISTOR
3/b	ELT0004020	TRANSISTOR BDW93C
3/c	ELE0003028	5A SLOW-BLOW GLASS FUSE 5x20
4	SCH0004060	SAGOMA DC EXPANSION POWER (ONLY FOR THE E/5 VERSION)

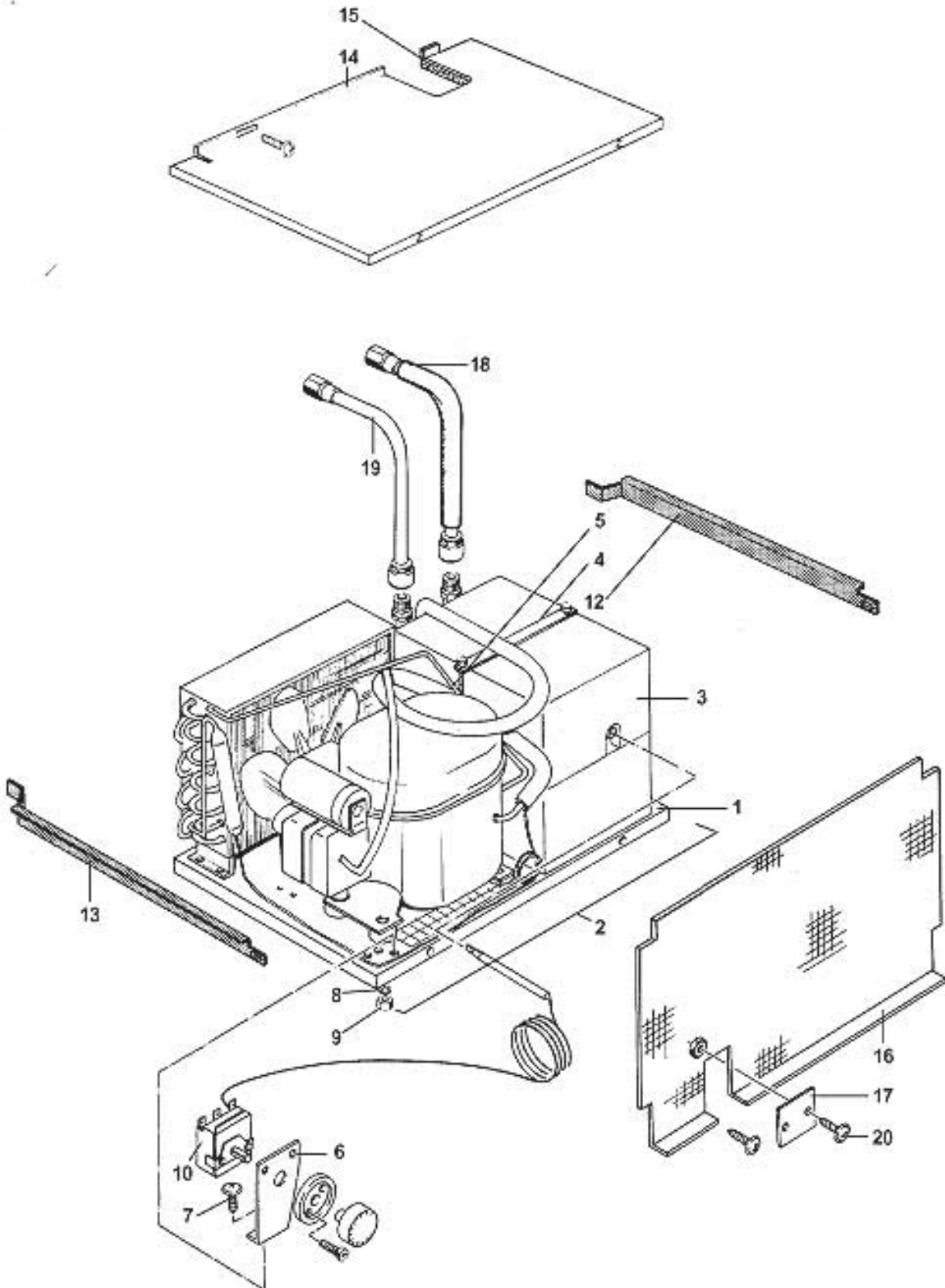


SAGOMA - NEW ELECTRONIC CONTROL AND POWER LOGIC

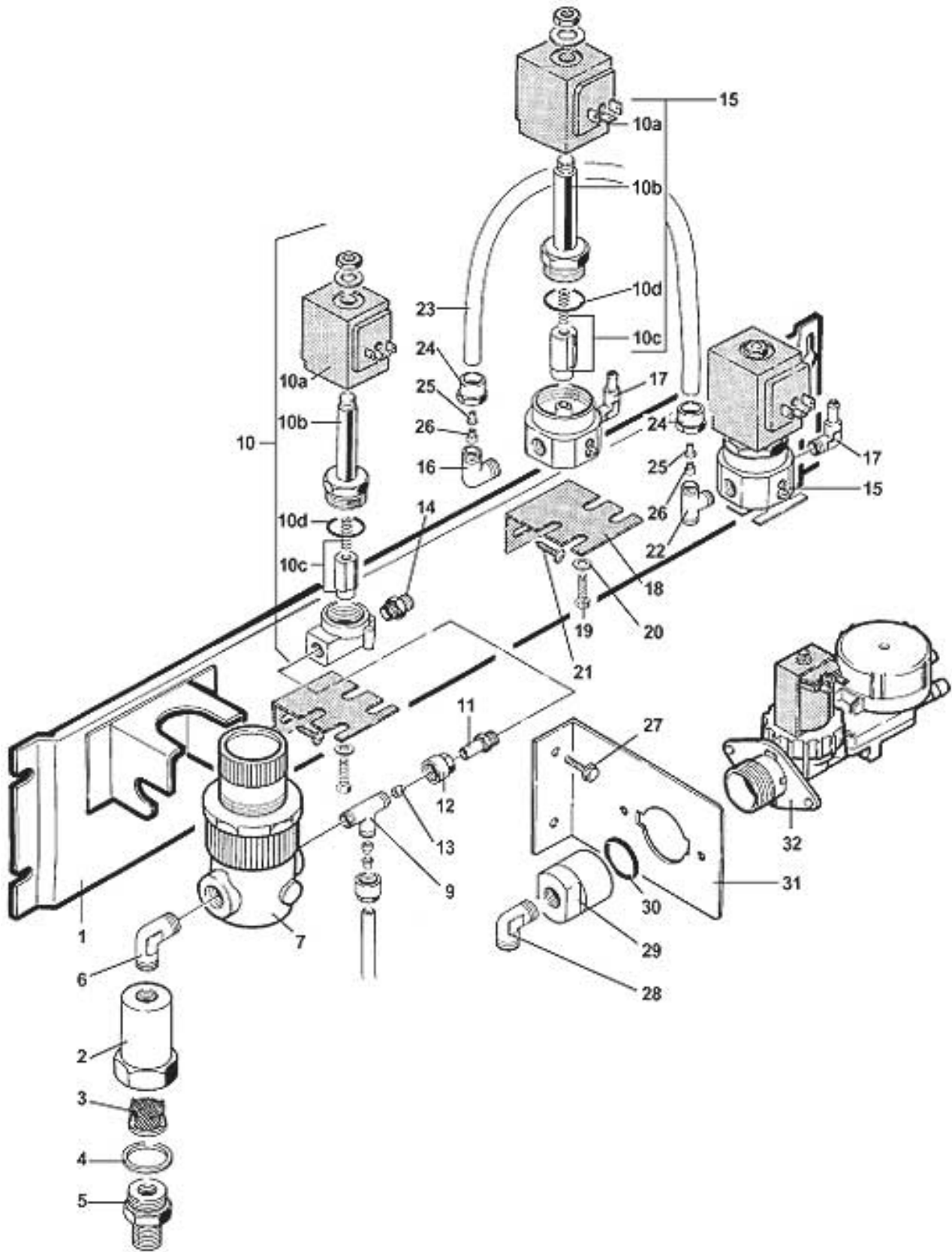
Pos.	Code	Description
1	SCH0004080	CPU DC CARD
1/a	ELT0004026	TRANSISTOR BTS 141
2	SCH0004620	LCD DISPLAY SUGAR QUANTITY
3	SCH0004660	LCD DISPLAY WITHOUT SUGAR QUANTITY
4	SCH0005140	POWER CARD
4/a	ELE0003025	2A RAPID GLASS FUSE 5x20
4/b	ELE0003028	5A SLOW-BLOW GLASS FUSE 5x20
4/c	ELT0004025	TRANSISTOR BTS 133
4/d	ELT0007151	1-WAY 24V D.C. 10A RELAY
4/e	ELT0004026	TRANSISTOR BTS 141
4/f	ELT0030301	INTEGRATED CIRCUIT 7805
4/g	ELT0004209	TRIAC TRIAC 16 A
5	SCH0003980	PROG./WASHING KEYBOARD
5/a	ELT0030704	D6 ROUND KEY
6	SCH0004200	KEYBOARD EXPANSION



Pos.	Code	Description	
1/a	0020034031	ELECTRIC COMPONENTS SUPPORT	Up to serial 9523999
1/b	0020034157	ELECTRIC COMPONENTS SUPPORT	From serial 9527001
2	ELE0009116	220 V BALLAST	
3	VIT0002401	TAPPING SCREW TCB 3.5 x 9.5	
4	ELE0009108	L 8 W 20 LAMP	
5	ELE0009109	STARTER	
6	ELE0009107	BIPLUG G 13 LAMP HOLDER	
7	ELE0009018	L 8 W 20 LAMP	
100	KIT0020034002	SAGOMA LIGHTING KIT	assieme



Pos.	Code	Description	
1	550000001	REFRIGERATING SUPPORT	
2	0550050005	REFRIGERATING GROUP WIHT HEATING ELEMENTS	
3	0550006015	POLYSTYRENE HALF-SHELL	
4	0550006006	TANK SECURING PLATE	
5	0550006005	TANK SECURING TIE-BOLT	
6	3003001036	THERMOSTAT SUPPORT	
7	VIT0000030	SCREW TCB M4 x 7	
8	VIT0003103	WASHER tab D. 4.3	
9	VIT0004503	NUT M 4	
10	ELE0000918	REMOTE THERMOSTAT	
11			
12	0550004076	R.H. SUPPORT	
13	0550004075	L.H. SUPPORT	
14	0550004055	REFRIGERANTED PLAN	
15	0550004018	POLYSTYRENE	
16	0550004021	REFRIGERANTING GROUP PROTECTION	
17	0550004044	FP THERMOSTAT PROTECTION	
18	0810010058CL	REFRIG. OUTLET PIPE TO VALVE ASSEMBLY	
19	0810010057CL	VALVE PIPE W/SETTING TO REFRIGERATING INLET	
20	VIT0000004	M 3x10 TCB SCREW	
21	VIT0004701	M3 FR NUT	
100	0550003006CL	REFRIG. GROUP FP W/THERMOSTAT	assieme



Pos.	Code	Description	
1	0810010588	WATER COMPONENTS SUPPORT	
2	0170005007	FILTER SUPPORT	
3	0110020007	D.20 PLASTIC FILTER	
4	GUA0003201	D.26x22x1.5 COPPER GASKET	
5	0170005006	FILTER-HOLDER CONNECTION	
6	0100001021	L FITTING D.8-1/ MALE CONIC	
7	0110003007	WATER MICROREGULATOR 1/4 0-8 bar	
8			
9	0100001039	T UNION 1/4-D.8-D.8	
10	0110001064	24 DC 1/8 VALVE WITHOUT/SETTING	
10/a	0110010065	8W 24 D.C. COIL	
10/b	0110010038	2-WAY VALVE SLEEVE	
10/c	0110010021	CORE WITH SPRING FOR 2-WAY VALVE	
10/d	0110010009	OR FOR 2-WAY VALVE	
11	9003001040	WATER INLET VALVE CONNECTION	
12	0100001004	NUT FOR D.8-1/4 PIPE FITTING	
13	0100002003	LOCKING RING D.8	
14	0100001017	STRAIGHT CONNECTION D.6-1/8M CON.	
15	0110001063	24 DC 1/8 VALVE W/SETTING	
16	0100001019	L FITTING D.6-1/8M CON.	
17	820001039	ELBOW TO RUBBERHOLDER CONNECTION	
18	0810010211	VALVE SUPPORT BRACKET	
19	VIT0000015	M 4x25 TCB SCREW	
20	VIT0003301	WASHER D.12 x 4.3 x 1.5	
21	VIT0002401	TAPPING SCREW TCB 3.5 x 9.5	
22	0100001030	T UNION D.6-1/8-D.6	
23	TNAY000001	D.6*4 POLYAMIDE PIPE	
24	0100001002	NUT FOR PIPE FITTING D.6	
25	0100002005	STRENGTHENING BUSH D.4	
26	0100002002	LOCKING RING D.6	
27	VIT0000030	SCREW TCB M4 x 7	
28	0100001022	L FITTING 6-3/8M CON.	
29	0810010558	3/8 GAS M WATER INLET VALVE CONNECTION	
30	GUA0000021	OR 130	
31	0070012111	WATER INLET VALVE SUPPORT	
32	0110001039	24 DC INLET VALVE W/SAFETY DEV.	
100	0810010098CL	SAGOMA H/FP 2VALVES W/SETTING ASSEMBLY (FROM POS.1 TO POS.26)	assieme